

ANDAVI

Installation Instructions

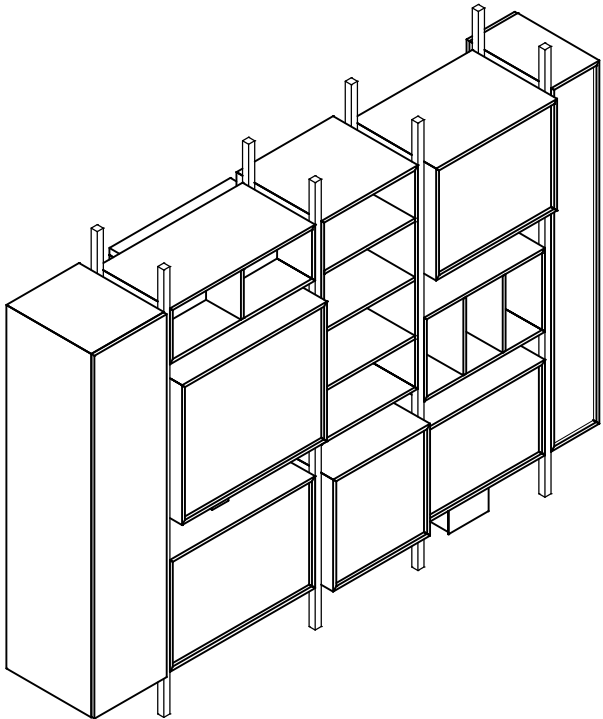
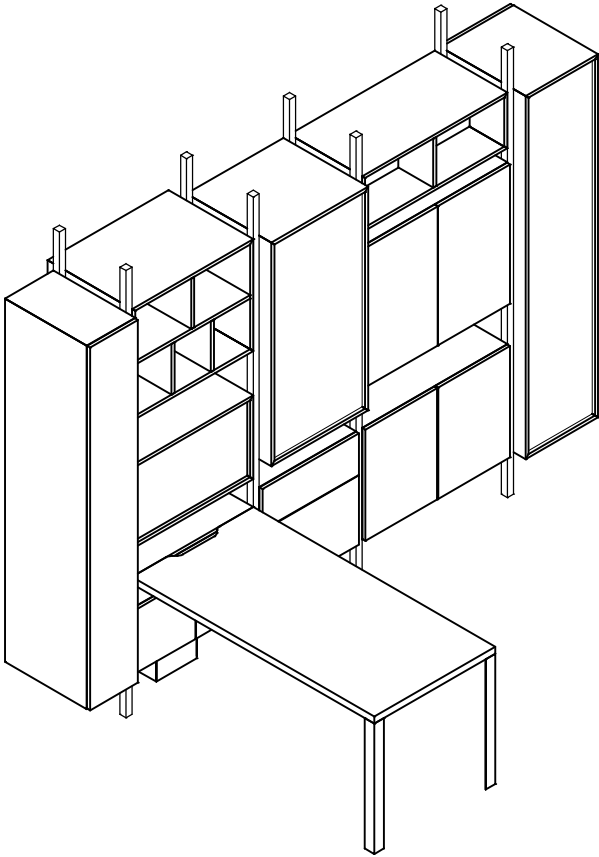


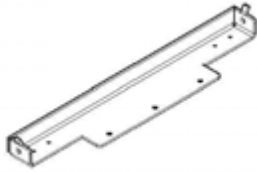
Table of Contents

- Hardware / Parts List 1
- Typical Connections 2
- Starting Section - Frame 4
- Starting Section - Cabinets 5
- Next Section - Frame / Cabinets. 6
- End Cabinets 7
- Fixed Height Runoffs 8
- Adjustable Height Runoffs 9
- Electrical 10
- Lighting 11

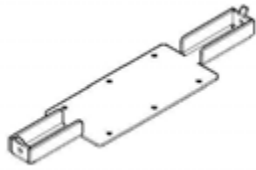
HARDWARE / PARTS LIST:



Cabinet Supports & Mounting Brackets



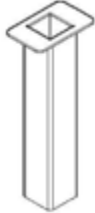
Single Cabinet Support



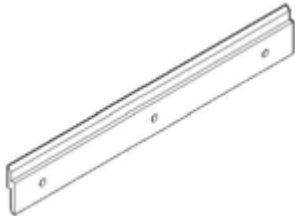
Double Cabinet Support



Pedestal Bracket



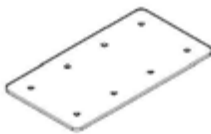
Wire Chase



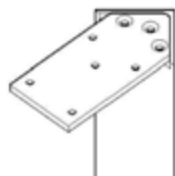
10" Z-Clip



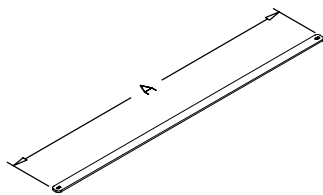
Z-Clip Mount Support



Bridge Plate



Runoff Leg



Cross Strap

- A = 14.25" (For use to install 12" cabinets)
- A = 20.25" (For use to install 18" cabinets)
- A = 26.25" (For use to install 24" cabinets)
- A = 32.25" (For use to install 30" cabinets)
- A = 38.25" (For use to install 36" cabinets)

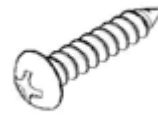
Fasteners



#8 x 3/4" Flat Head



#9 X 1 1/4" Flat Head



#10 X 1" Panhead



#9 X 5/8" Panhead



#8-32 X 1/2"
Button Head Screw



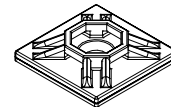
Confirmat Screw



1/4-20 x 1/2"
Button Socket Cap Screw



1/4-20 Drop-In
T-Nut



Cable Tie
Mount Block

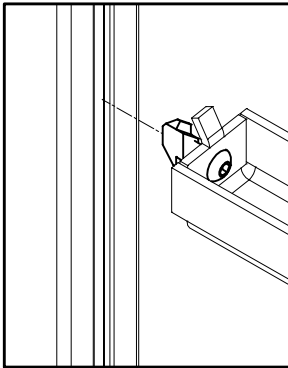


6" Cable
Zip Tie

TYPICAL CONNECTIONS

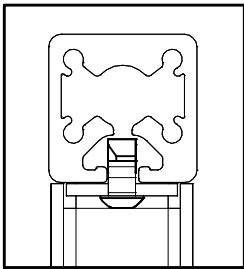


Typical T-Nut Fastener Installation Instructions

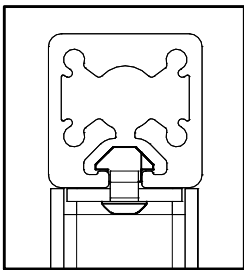


These General Instructions Shall Apply to All Bracket and Plate Connections that Require T-Nut Fasteners as Part of the Connection.

- Insert 1/4-20 x 1/2" BSCS Thru Hole in Plate / Bracket & Thread T-Nut 2-Turns Onto Bolt. Repeat for Rest of Connection Holes.
- Next, Align T-Nuts so they Match the Extrusion Being Connected & Depress Into Channel.

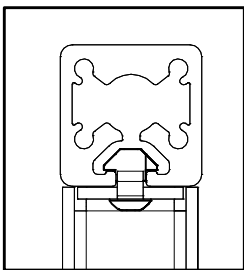


- Should Look Like This Before Further Tightening Takes Place.

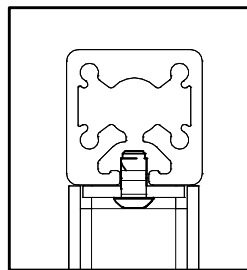


ATTENTION :

- As Initial Tightening of Each BSCS Begins, T-Nuts Must Pivot in Channel Engaging the Shoulders of T-Nut Against the Walls of the Channel.
- Pay Special Attention that Each T-Nut "Engages" Before Continuing to Tighten Each Bolt.



CORRECT

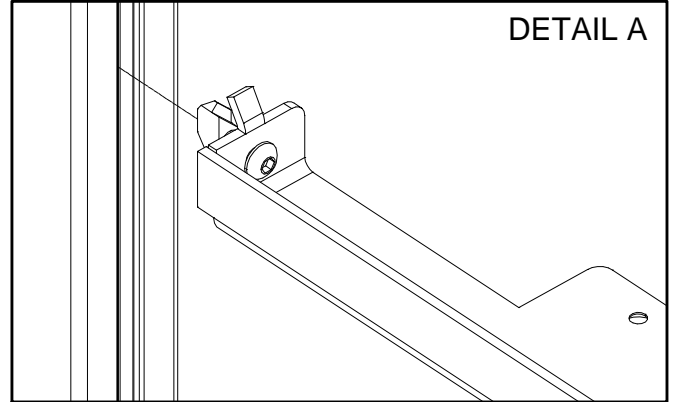


INCORRECT

Shoulders Did Not Engage Into Sides of Channel.

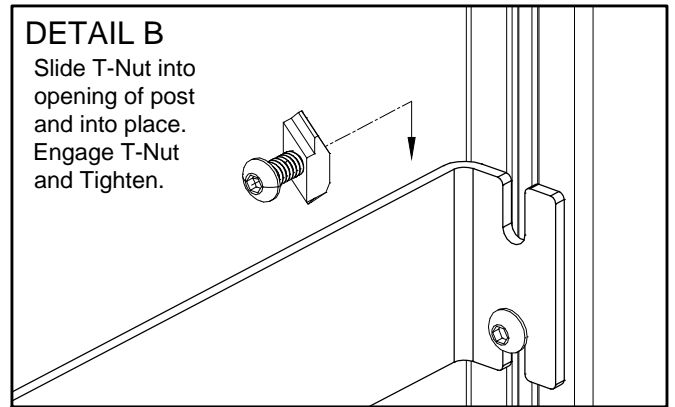
CABINET SUPPORT

Attach to extrusion using 1/4-20 Drop-In T-Nut and 1/4-20 x 1/2" Button Socket Cap Screw



Z-CLIP MOUNTING BRACKET

Attach Z-Clip Mounting Bracket using 1/4-20 Drop-In T-Nut and 1/4-20 x 1/2" Button Socket Cap Screw



DETAIL B

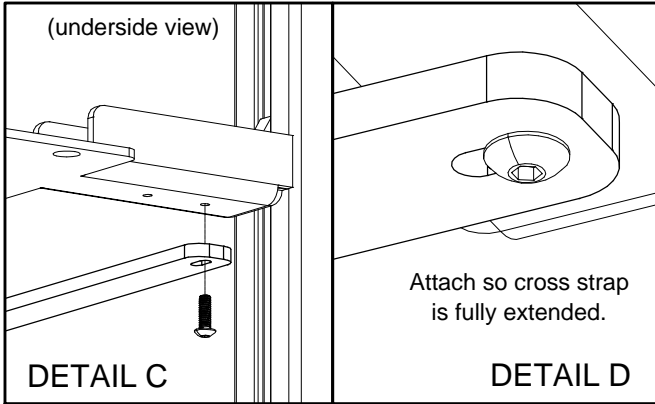
Slide T-Nut into opening of post and into place. Engage T-Nut and Tighten.

TYPICAL CONNECTIONS



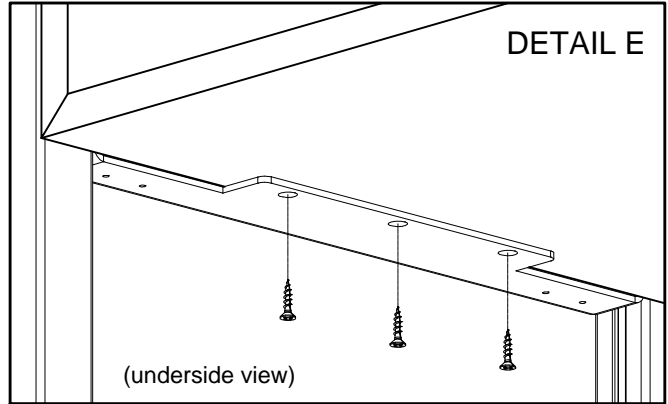
CROSS STRAPS

Attach to cabinet support using #8-32 x 1/2" Button Head Screw.



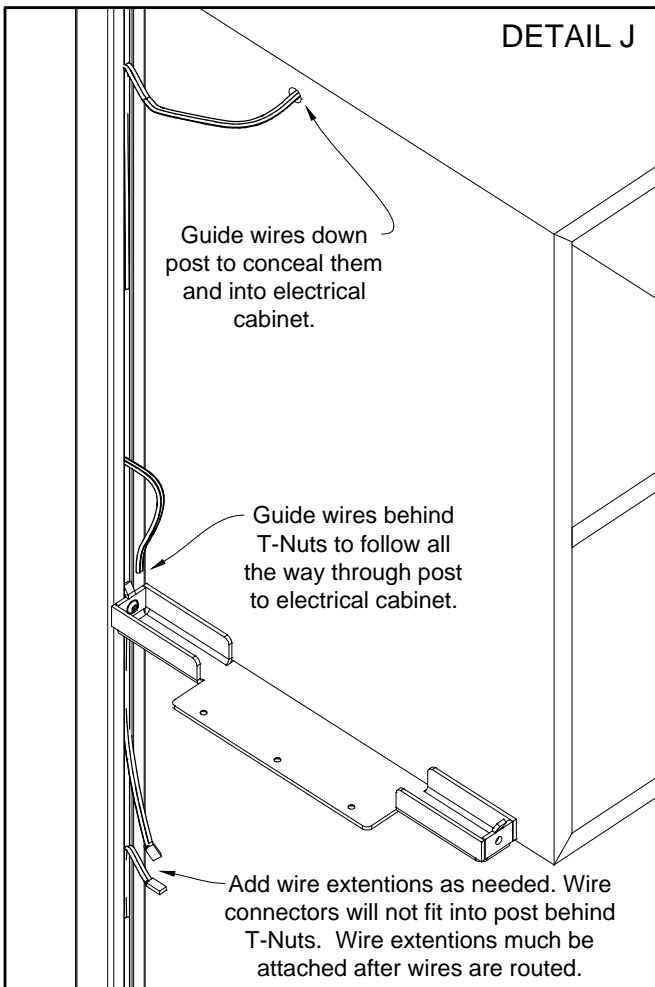
CABINETS

Screw cabinets to cabinet supports using #8 x 3/4" Flat Head Screws



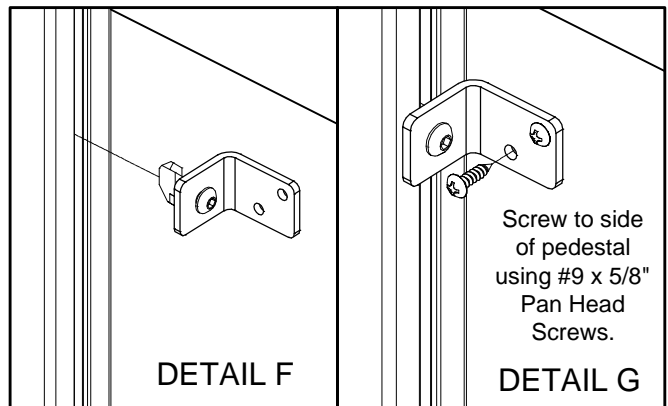
LIGHTING WIRING DETAIL

Insert wires through post to conceal them.
Add wire extensions as needed.



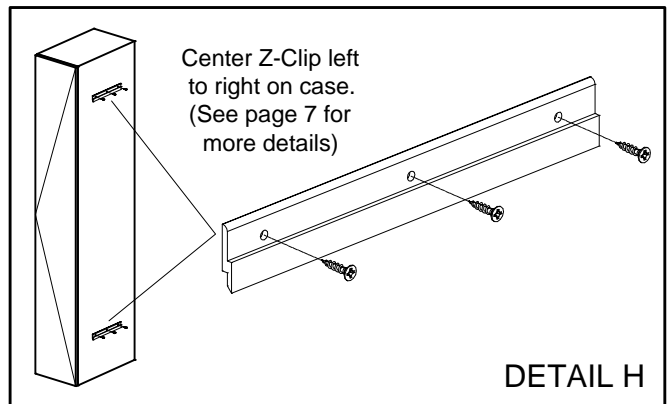
PEDESTAL BRACKET

Attach to extrusion using 1/4-20 Drop-In T-Nut and 1/4-20 x 1/2" Button Socket Cap Screw.



Z-CLIP

Screw Z-Clips to tower using #8 X 3/4" Flat Head Screws

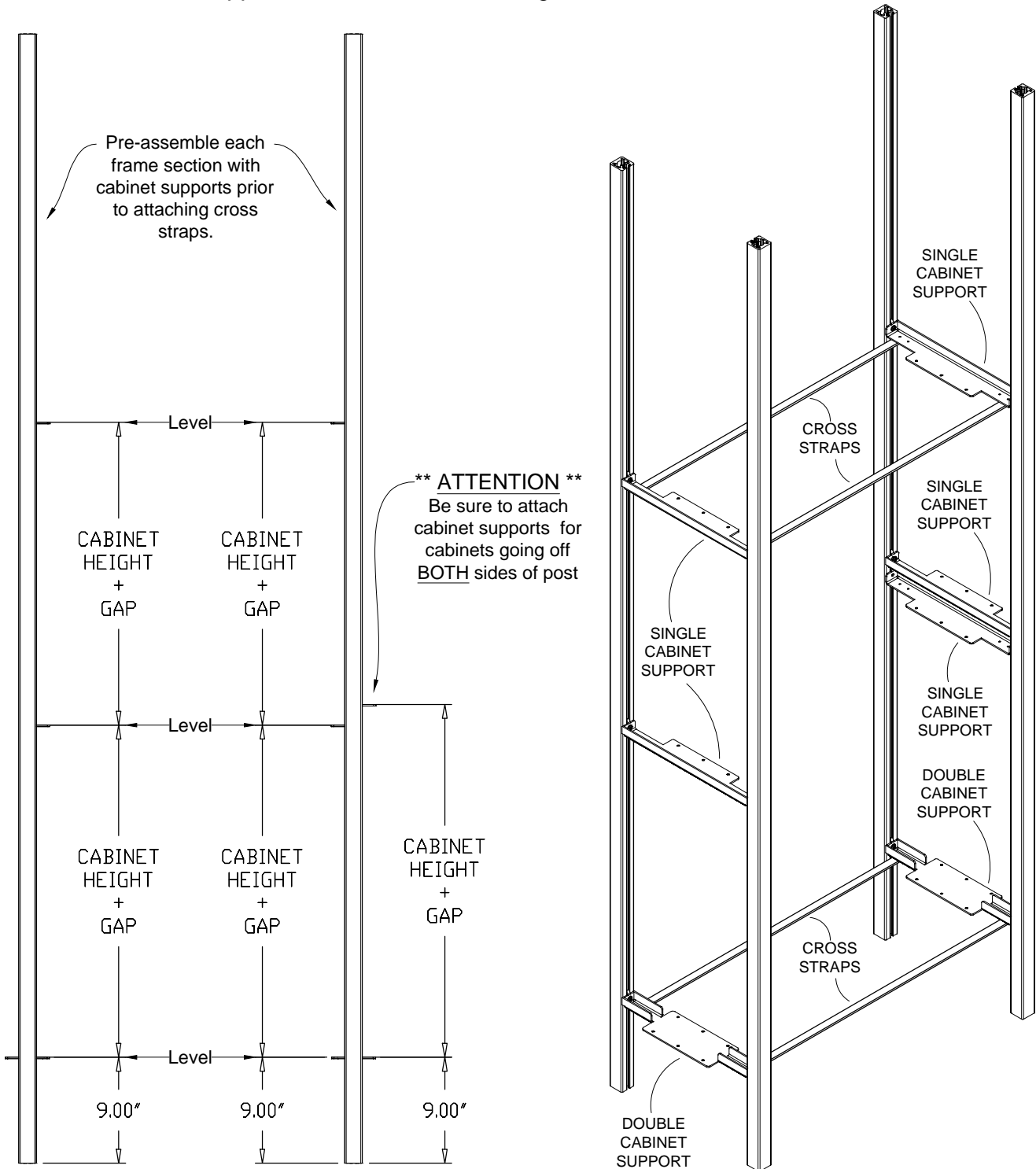


STARTING SECTION - FRAME



- * See provided layout for specific unit purchased.
- * Start at LH section and work towards RH section (Hanging cabinets are to be installed last).

1. Pre-assemble each side with cabinet supports in approximate locations (see detail A)
2. Attach cross straps to highest and lowest cabinet supports (see details C & D)
- ** Be sure to use appropriate sized cross straps for width of cabinets in section**
3. Level cabinet supports with each other and tighten fasteners



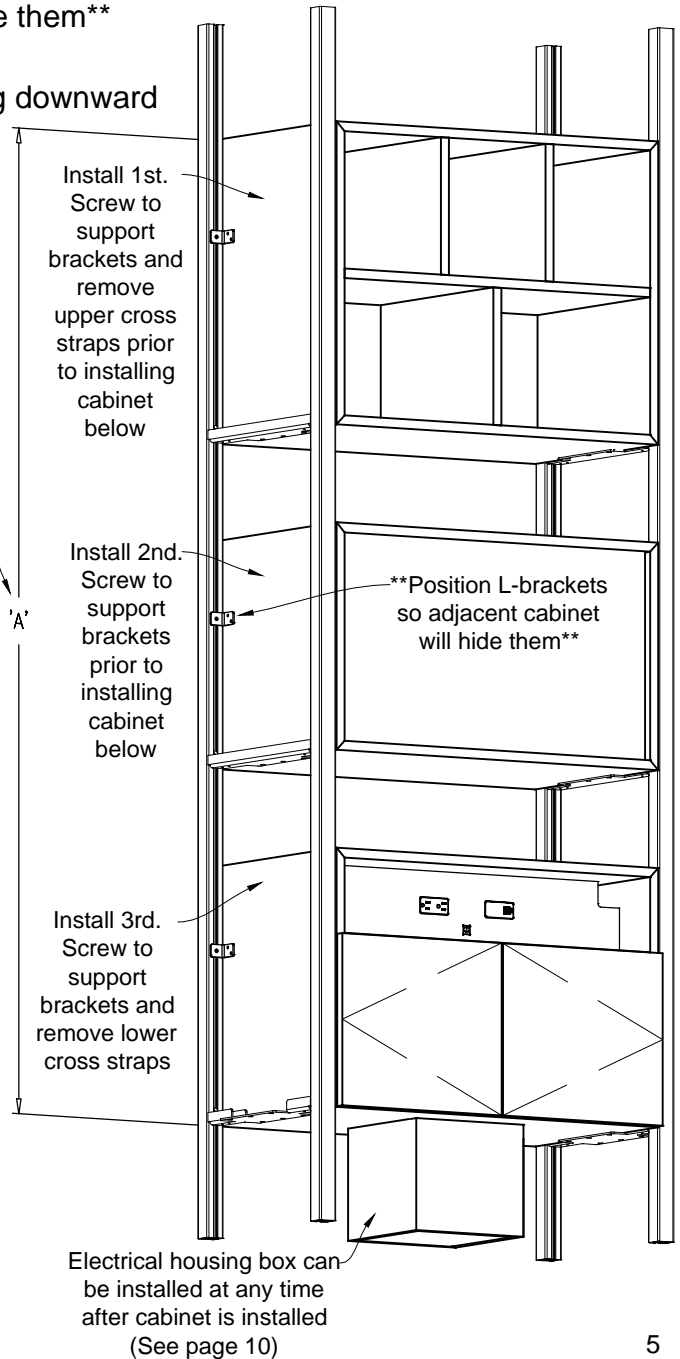
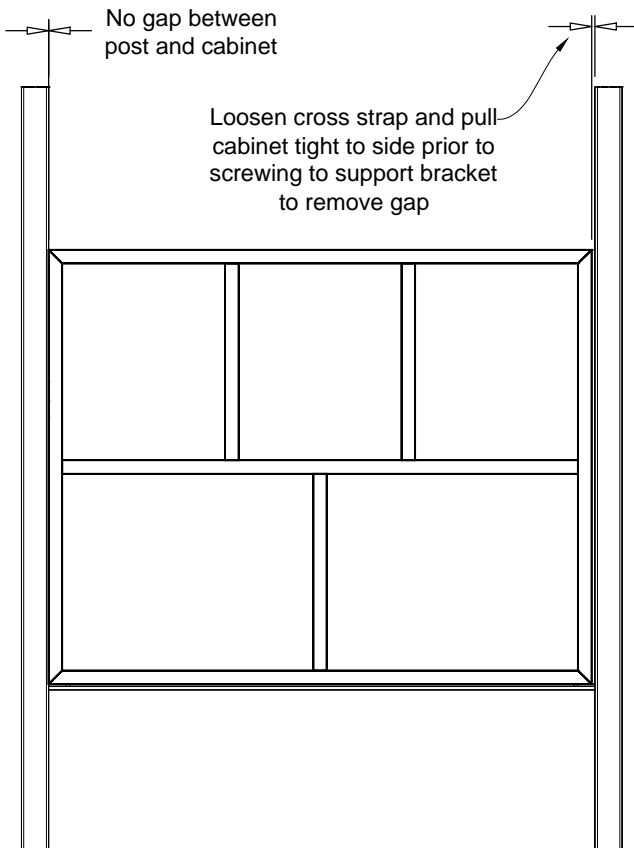
STARTING SECTION - CABINETS



* Insert cabinets top to bottom

1. Insert top cabinet into location and align with post
 - 18" deep cabinets: case will be flush with front and back
 - 21" deep cabinets: case will be flush with front or back
 (see provided drawings specific to unit to determine if cabinet should be flush with front or back)
2. Slide cabinet tight to post on one side and screw to cabinet support (see detail E)
3. Loosen cross strap (do not remove completely)
4. Pull cabinet tight to other side & screw to cabinet support
5. Attach L-brackets, 2 per side of cabinet (see details F & G)
 - **Position L-brackets so adjacent cabinet will hide them**
6. Remove upper cross straps
7. Repeat steps 1-5 with remaining cabinets moving downward
8. Remove lower cross straps after lowest cabinet has been installed

'A' = 78" for 96" tall units
'A' = 54" for 69" tall units

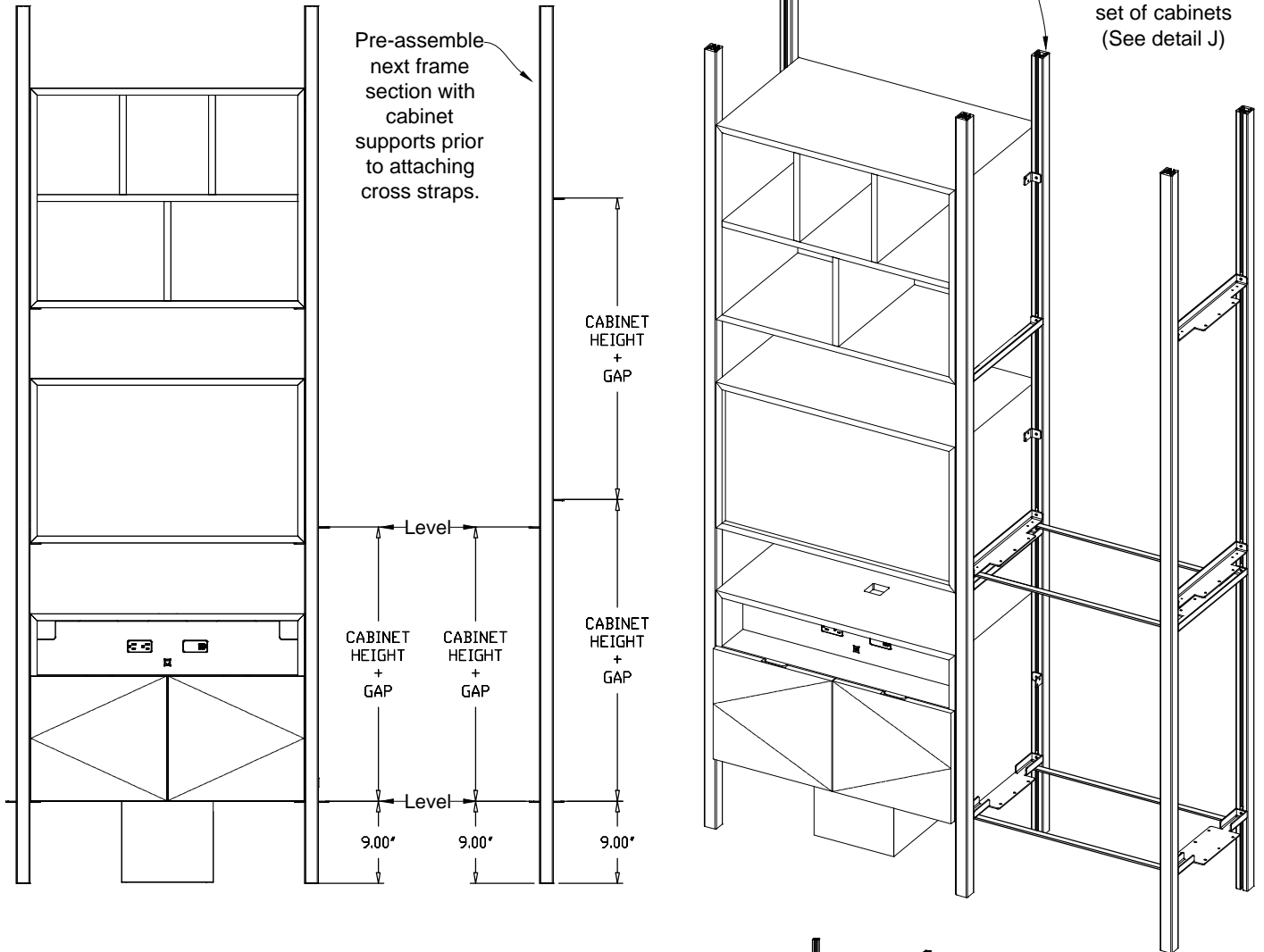


NEXT SECTION - FRAME

* See provided layout for specific unit purchased.

1. Pre-assemble next frame section with cabinet supports in approximate locations (see detail A)
2. Attach cross straps (see details C & D)
3. Level cabinet supports with each other and tighten fasteners

**** ATTENTION ****
Install any necessary wiring for lighting **BEFORE** installing next set of cabinets (See detail J)



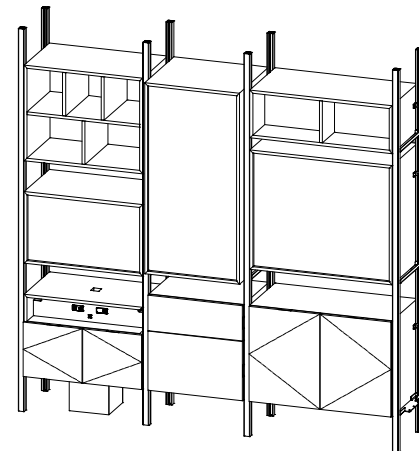
NEXT SECTION - CABINETS

* Install cabinets the same as the starting section cabinets. See page 5 for details.

(Only the starting section will have pedestal L-brackets on both sides. All remaining sections will have L-brackets attached on one side only)

REPEAT PAGE 6 UNTIL ALL FRAME SECTIONS HAVE BEEN ADDED.

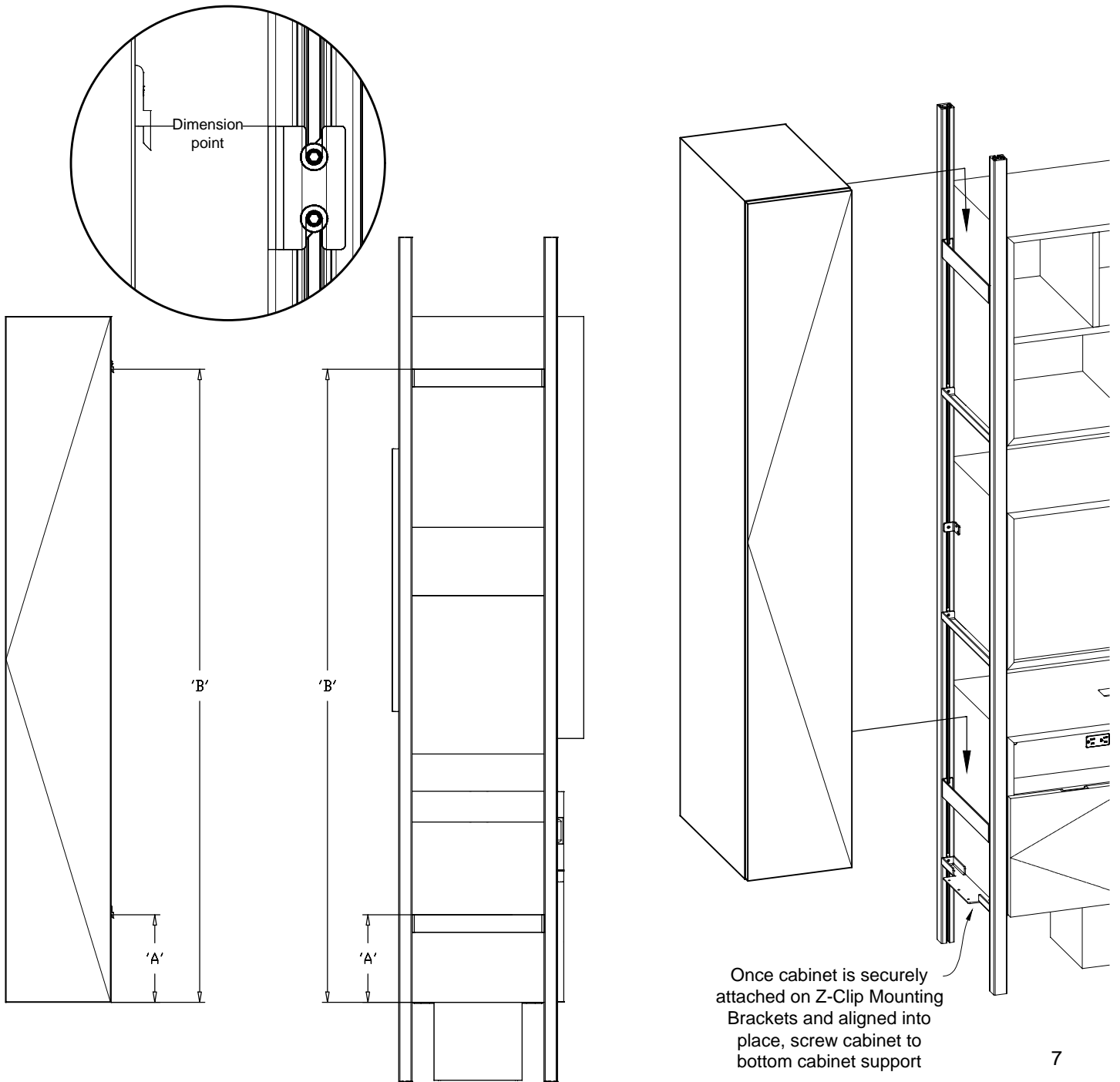
CONTINUE TO PAGE 7 TO INSTALL END CABINETS.



END CABINETS



1. Attach Z-Clip Mounting Brackets to extrusions (see detail B)
2. Attach Z-Clips to cabinet (see detail H)
3. Slide cabinet down into place on Z-Clip Mounting Brackets so Z-Clips securely attach.
4. Align cabinet into place
 - 18" deep cabinets: case will be flush with front and back
 - 21" deep cabinets: case will be flush with front or back
 - (see provided drawings specific to unit to determine if cabinet should be flush with front or back)
5. Screw cabinet to bottom cabinet support bracket (see detail E)

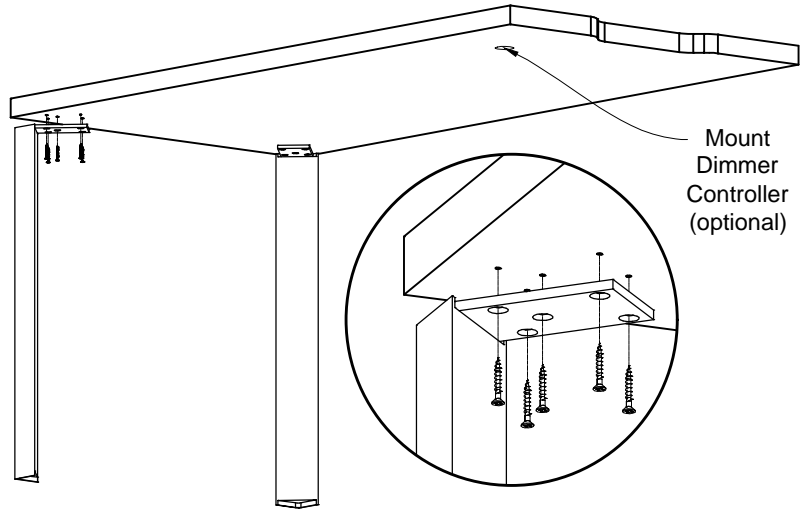


FIXED HEIGHT RUNOFF

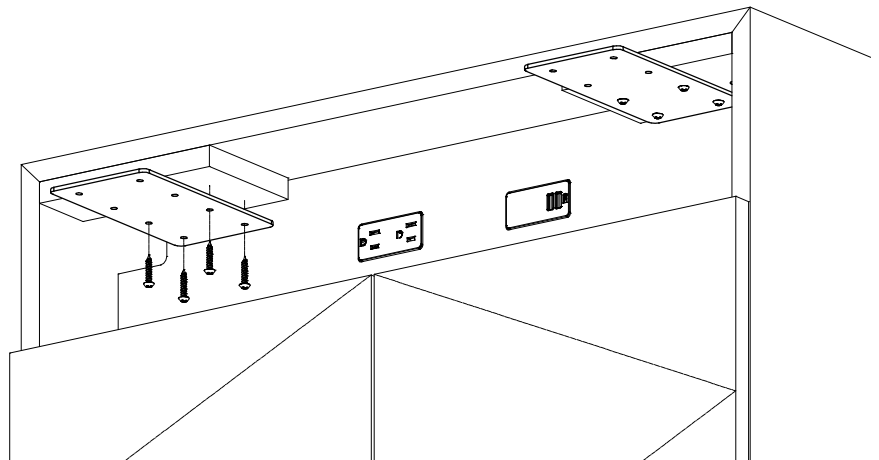


** Runoffs are always connected to electrical cabinet **

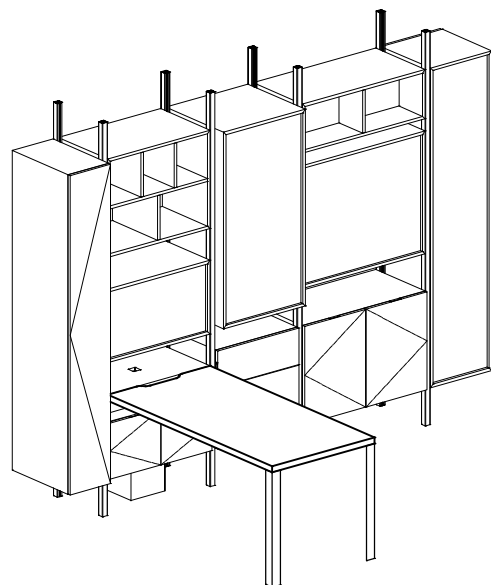
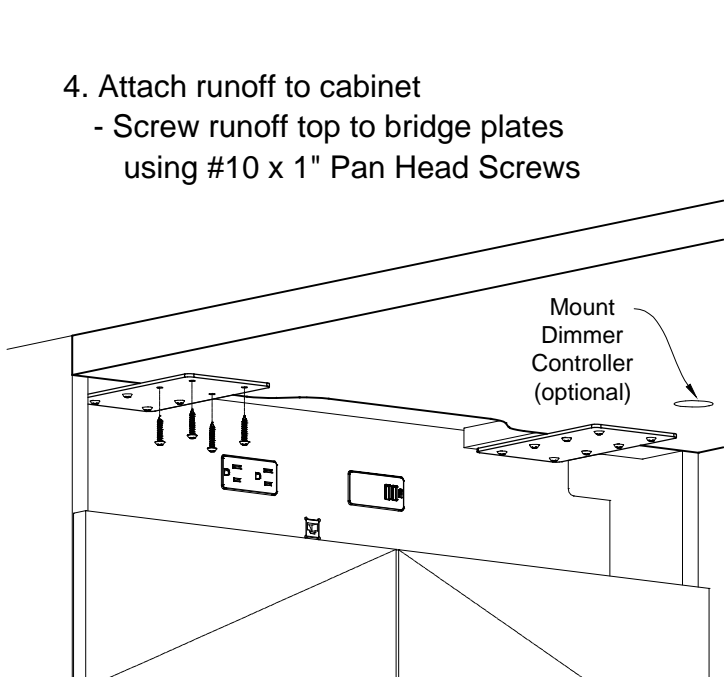
1. Attach runoff legs to runoff top
 - Align legs with milled holes on runoff top, 1/4" inset from edges.
 - Screw legs to top using #9 x 1 1/4" Flat Head Screws
2. Mount optional dimmer controller into hole on underside of table
(See page 11 for details)



3. Attach bridge plates to cabinet
 - Screw bridge plate to underside of electrical cabinet using #10 x 1" Pan Head Screws



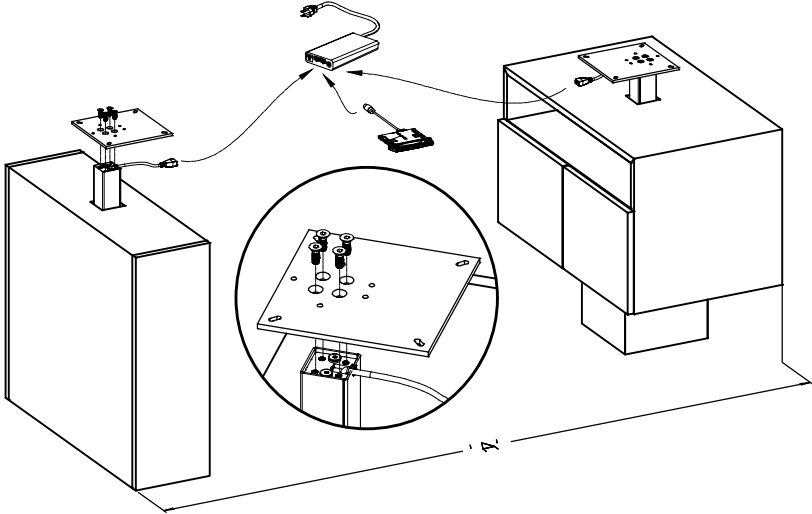
4. Attach runoff to cabinet
 - Screw runoff top to bridge plates using #10 x 1" Pan Head Screws



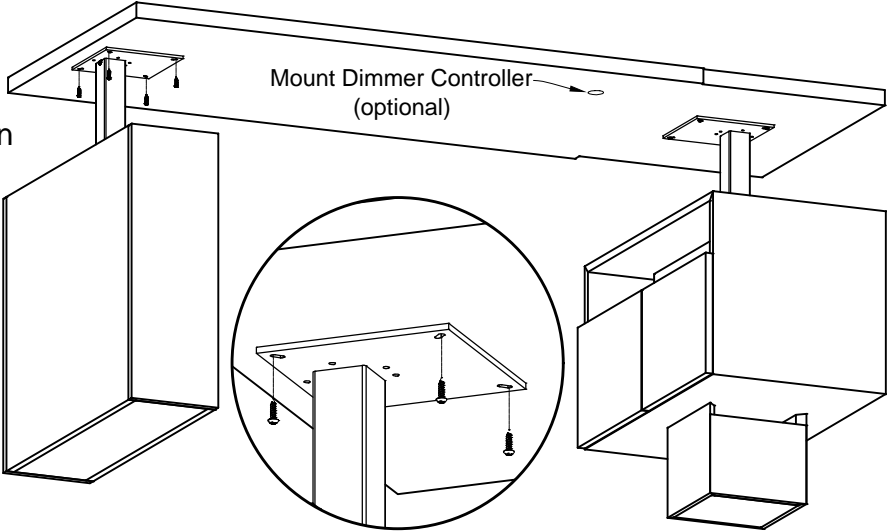
ADJUSTABLE HEIGHT RUNOFF

** Runoffs are always connected to electrical cabinet **

1. Place adjustable height leg/plinth into approximate location.
 'A' = Runoff width
2. Temporarily connect electrical cords for legs and keypad to control box. Plug control box into outlet & raise legs out of plinth and cabinet.
3. Install mounting plate to leg using M8 1.25 x 18mm Flat Socket Cap Screws

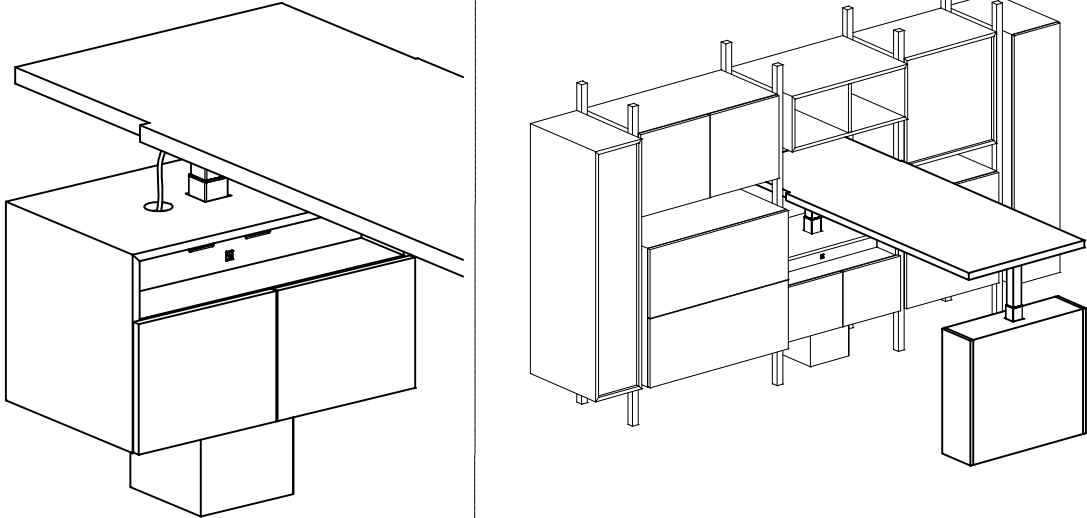


4. Attach Runoff top to mounting plates on legs
 - Be sure plinth is in correct location
 - Raise legs up to allow access to screw into plates
 - Screw runoff top to mounting plates using #12 - 8 x 1" Pan Head Button Screws



5. Mount optional dimmer controller into hole on underside of table (See page 11 for details)

6. Re-wire electrical cords to conceal in electrical cabinet

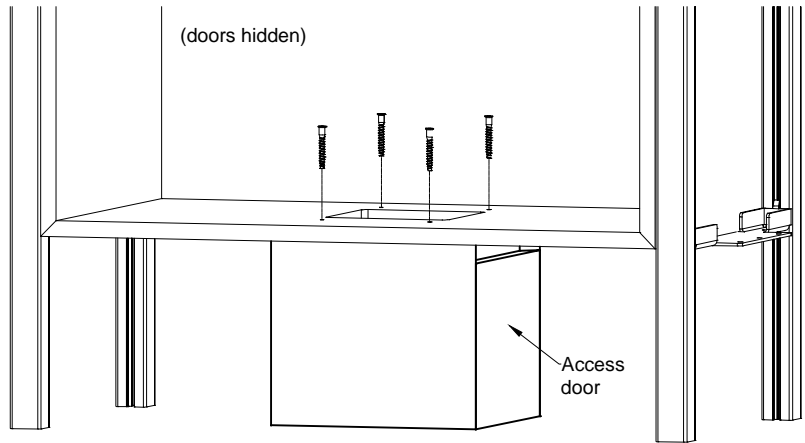


ELECTRICAL & WIRING



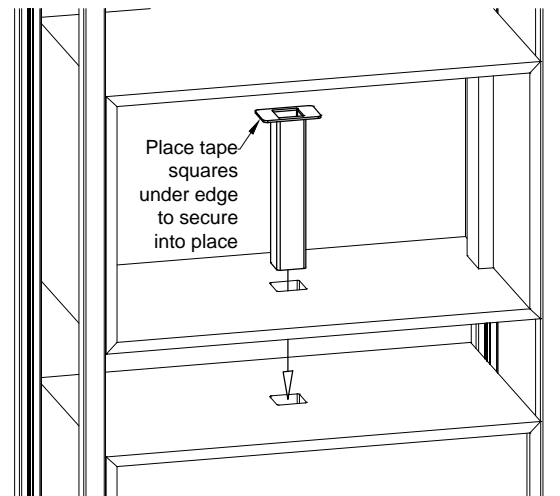
ELECTRICAL HOUSING BOX

1. Remove bottom cross straps prior to installing
2. Slide box under cabinet into place (access door to face towards side of cabinet)
3. Screw (x4) Confirmat screws down through bottom of cabinet into box



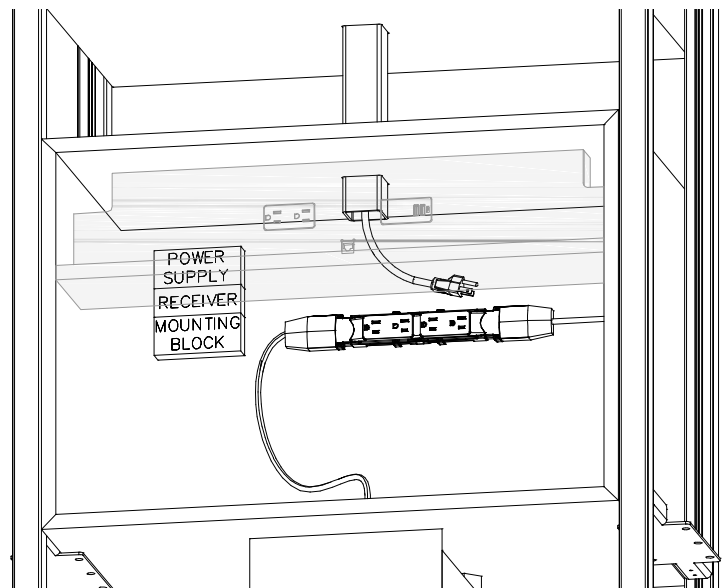
WIRE CHASE

1. Remove false back in upper cabinet
2. Slide wire chase through cutout in upper cabinet down into cutout in lower cabinet
3. Use tape squares to secure wire chase into place
4. Replace false back in upper cabinet



ROUTING WIRES

1. Mount power supply, receiver, and mounting block for lighting in electrical cabinet
2. Route electrical cords for televisions, computer monitors, etc through wire chase and into electrical cabinet
3. Wires for lighting are routed down through posts into electrical cabinet



Remote Specifications:
P/N: L-WLDIM-1RND
Operating Voltage: 3V CR2025 battery
Working Frequency: 916.5 MHz
RF Remote Distance: 15m (50 ft.)

Receiver Specifications:
P/N: L-WLDIM-1REC
Input Voltage: 12V DC
Output Voltage: 12V DC
Max-Output Load: 5A, 60W
Dimming Range: 100% - 1%

Installation Instructions

Single Zone Wireless Round Dimmer

12V DC 60W Capacity

READ ALL INSTRUCTIONS BEFORE INSTALLING SYSTEM.

Before beginning installation, be sure power is turned OFF to light system.

Programming Instructions:

1. Disconnect Mounting Block from 12V DC Tresco power supply (see spec guide for power supply options). Connect Dimmer Receiver to Tresco 12V DC power supply by locating the input wire to the receiver and snapping the male AMP connector to female AMP connector located on output wire of the power supply (Figure 2).

**To use multiple receivers on one power supply, connect the input wire of the Mounting Block to the power supply output and then plug the receivers into the Mounting Block.*

2. Take the mounting case off of the Round Dimmer Controller (figure 1).

Remove the clear plastic tab to activate the battery.

3. Plug desired light(s) into the Mounting Block.

4. Plug polarized 2-prong end of Tresco 12V DC power supply wire into 120V receptacle. If receptacle is operated by on/off wall switch, turn switch on after plugging power supply in.

5. Press (do not hold down) the Learning Key (figure 3) on the Dimmer Receiver once, then press (do not hold down) the power button on the Round Dimmer Controller once. The lights should flash on/off, indicating they are programmed properly.

6. Repeat step 5 with any additional receivers or controllers that you want programmed.

**Each receiver can be controlled by up to 8 different controllers. A single controller can control up to 10 receivers.*

How to Deprogram a Receiver:

1. Hold down the Learning Key on the Dimmer Receiver until the lights connected to the receiver flash on/off twice.

2. The receiver is now reset and is no longer programmed to any controllers.

Dimmer Mounting Instructions:

1. There are three options for mounting: screws (Figure 4), magnet (located on bottom of casing), or double-stick adhesive (included in package).

2. To mount with screws, first remove the casing from the dimmer. Position the casing at desired location, being sure to align the "notch" on the inner wall of the casing (Figure 5) at the top of the cylinder to ensure proper orientation of the control button on the Dimmer.

3. Mark screw hole locations and use a 1/16" drill bit for pilot holes. Drive screws through holes in casing into pilot holes, again ensuring that the notch on the casing is at the top portion of the cylinder.

4. Slide Dimmer control unit into Dimmer casing (Figure 6).

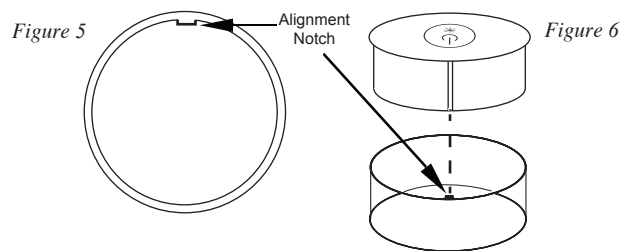
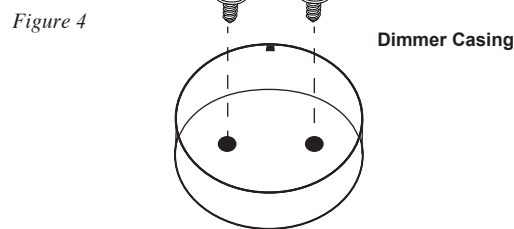
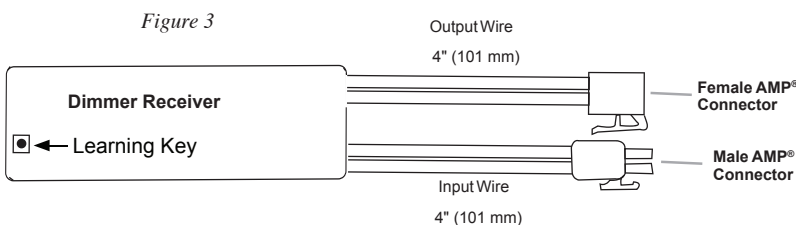
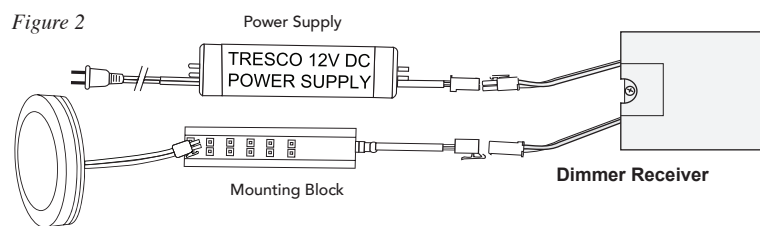
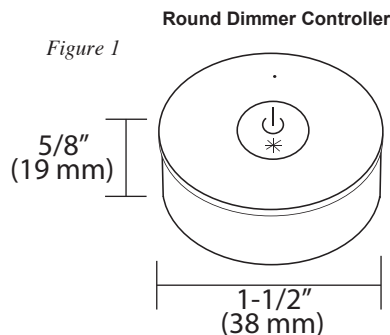
IMPORTANT SAFETY INSTRUCTIONS

CAUTION: To reduce the risk of fire, electric shock, or injury to persons:

- Route and secure cords so they will not be pinched or damaged when cabinet is pushed to the wall.
- Use only insulated staples or plastic ties to secure ALL loose cords.
- Replace battery with CR2025 Battery only. Not rechargeable.
- 12VDC input only to receiver
- 12VDC 60W 5AMP max receiver output
- Use only in dry locations. Not for use where exposed to the weather
- Not intended for recessed installation in ceilings or soffits
- A licensed electrician should be consulted for wiring through ceilings, soffits, or walls.
- All wiring must follow NEC regulations.

Save these instructions for future reference.

For technical assistance: 1-800-227-1171



Tresco Lighting by Rev-A-Shelf
12400 Earl Jones Way
Louisville, KY 40299

Tel: 800-227-1171
Fax: 502-491-2215

Email: cservice@trescolighting.com
Web: www.trescolighting.com



I-WLDIM1RND-1015