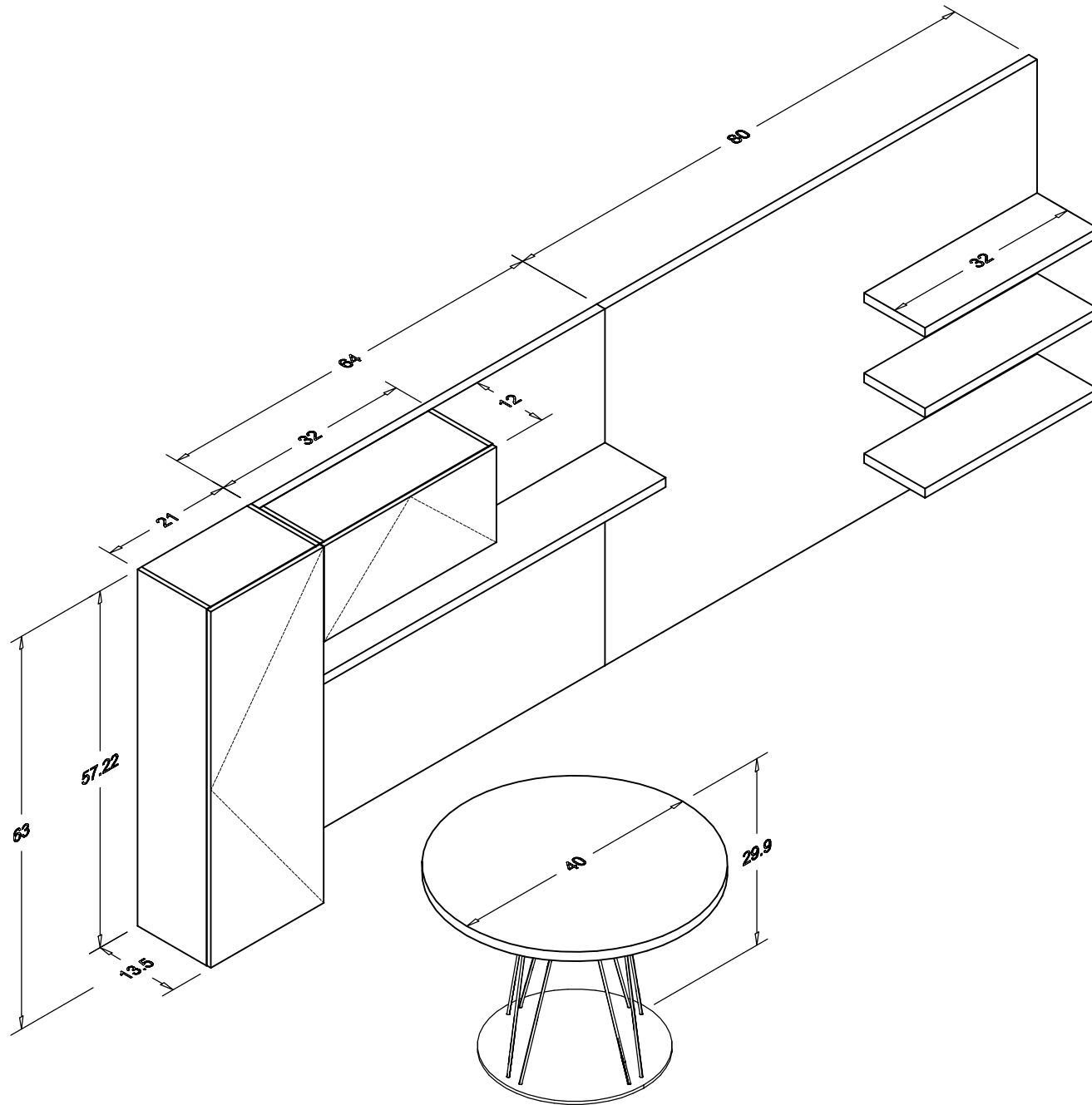
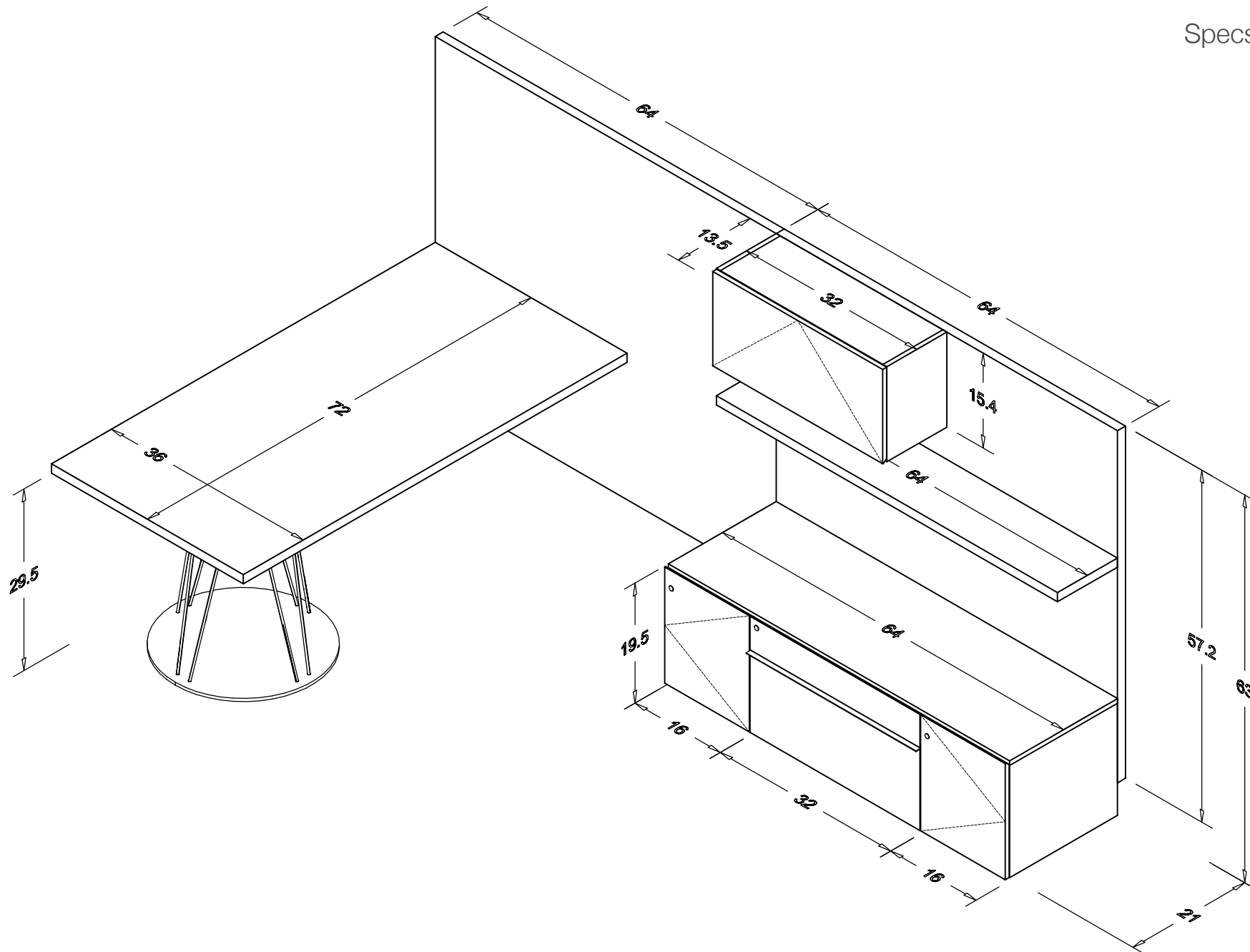


Specs | Pricing
3D CAD



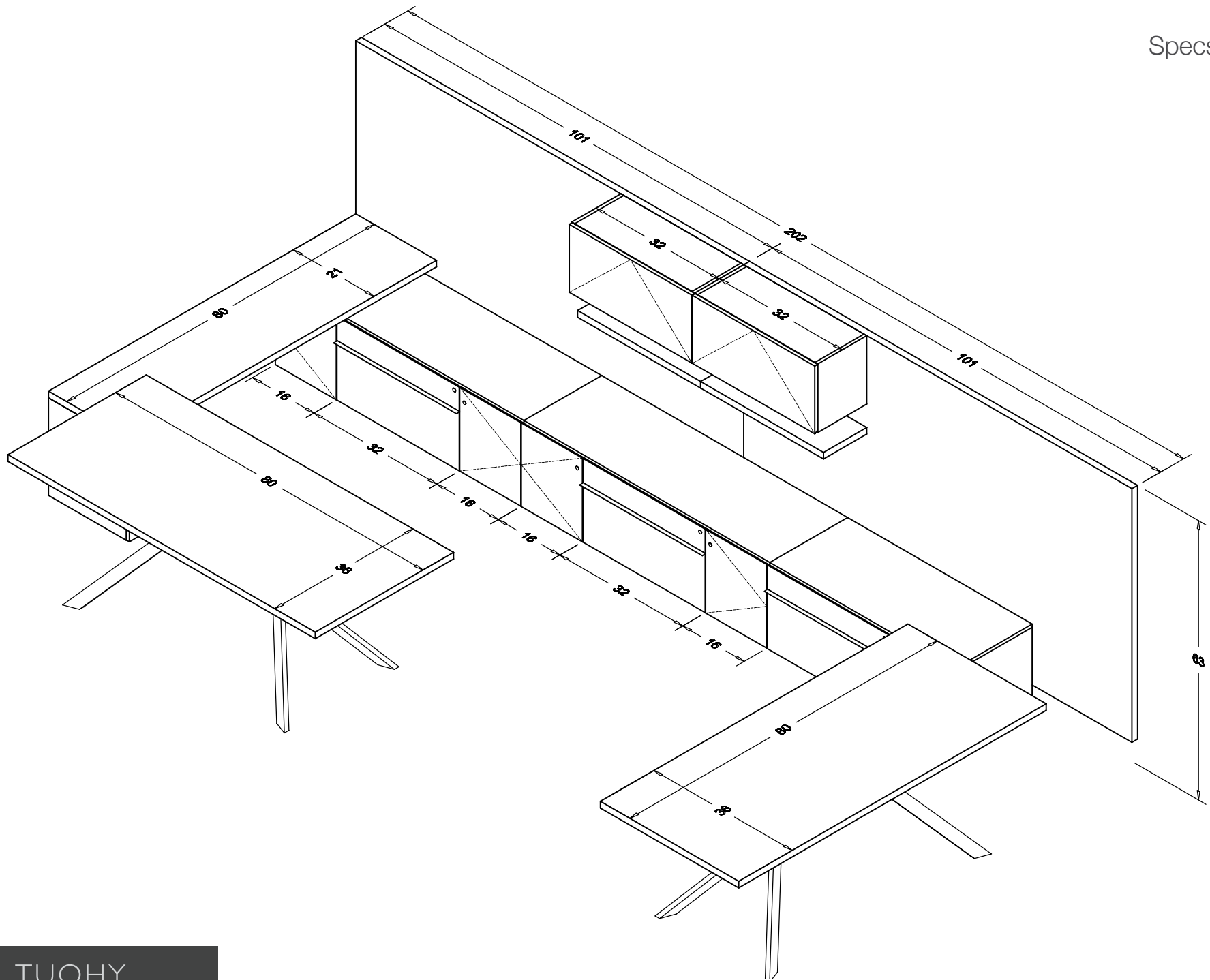
TUOHY

Coda
CO4



TUOHY

Coda
CO5



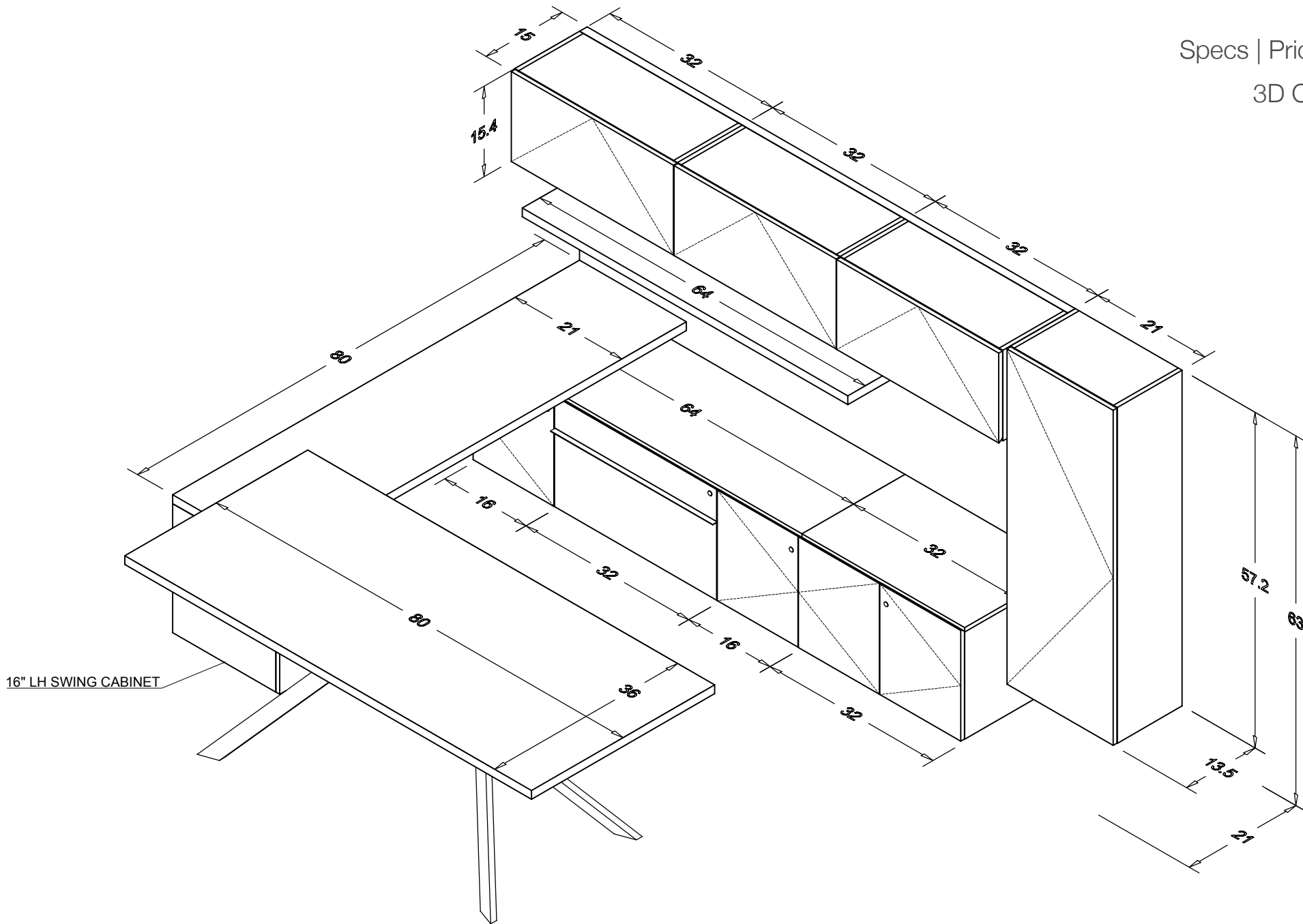


Illustration 3D CAD

Description

Coda table-double X-bases, 80"w 36"d 29.9"h, bases have (MRBS) resin brushed steel finish.

Coda bridge LH credenza attach-SwingCabinet, bridge with credenza attachment LH - SwingCabinet RH, 80"w 21.75"d 24"h, locks optional, finished back, (horizontal or vertical) grain direction: TBD.

Coda credenza, 80"w 21"d 19.5"h, comprised of: 32"w Box/File - 32"w Box/File - 16"w RH cabinet; finished top

Coda wall-hung cabinet/lift door, 32"w 13.5"d 15.4"h, (horizontal or vertical) Grain Direction: TBD. Wall cleats provided for installation. Note: Customer walls must be adequately constructed to accept wall-hung units.

Coda wall panel/full height, 64"w 57.2"h (63"h Installed) 1.5"th, 1 piece, (horizontal or vertical) grain direction: TBD. Wall cleats provided for installation. Note: Customer walls must be adequately constructed to accept wall-hung units.

Product Number	List \$	Qty	Extended \$
QAXR8036	5373	1	\$5,373
QESFL80	2610	1	\$2,610
QF22RU	4826	1	\$4,826
QWXX	2023	1	\$2,023
QWP63F64	1698	1	\$1,698
Total:			\$16,530

Priced in a Wood1 finish.

Description	Product Number	List \$	Qty	Extended \$
Coda-Plinth table, 80"w 36"d 29.9"h, 1.5"th Top w/square-cut edges, plinth base has a (MRBS) resin brushed steel base plate, (horizontal or vertical) grain direction on base: TBD.	QAPR8036	4328	1	\$4,328
Coda bridge LH CredenzaAttach-SwingCabinet, 80"w 21.75"d 24"h, bridge with credenza attachment LH - SwingCabinet RH, finished back, no locks, (horizontal or vertical) grain direction: TBD.	QESFL80	2610	1	\$2,610
Coda credenza: Cab-B/F-Cab, 64"w 21.75"d 19.5"h, comprised of: 16"w LH Cabinet - 32"w Box/File - 16"w RH Cabinet; finished top, finished back, locks included. Box/File unit includes blade pull on file drawer w/(MRBAS) resin brushed aluminum with steel tint finish, (horizontal or vertical) grain direction: TBD. To be installed below bridge on line 2.	QFL2RF	4970	1	\$4,970
Coda LH wall hung garment, 21"w 13.5"d 57.2"h (63"h Installed), unfinished back, (horizontal or vertical) grain direction: TBD. Wall cleats provided for installation. Note: Customer walls must be adequately constructed to accept wall-hung units.	QWXG4	2406	1	\$2,406
Coda Full Ht Wall Panel, 80"w 57.2"h 1.5"th (63"h Installed), 1-Section, Shelving to be Installed at 32-42.3-R, 32-28.4-R, 32-14.4-R, (Horizontal or Vertical) Grain Direction: TBD. Wall Cleats Provided for Installation. Note: Customer Walls must be Adequately Constructed to Accept Wall-Hung Units.	QWP63F80	2126	1	\$2,126
Coda Wall Panel Shelves, 32"w 11.3"d 1.5"th, To Be Installed at 32-42.3-R, 32-28.4-R, 32-14.4-R on Wall Panel on Line 5. Maximum Load on Wall Panel Shelves is 50 lbs. Per Lineal Foot.	QWS32	875	3	\$2,625
Coda Full Ht Wall Panel, 64"w 57.2"h 1.5"th (63"h Installed), 1-Section, No Shelving, (Horizontal or Vertical) Grain Direction: TBD. Wall Cleats Provided for Installation. Note: Customer Walls must be Adequately Constructed to Accept Wall-Hung Units.	QWP63F64	1698	1	\$1,698
Coda Full Ht Wall Panel, 64"w 57.2"h 1.5"th (63"h Installed), 1-Section, Shelving to be Installed at 64-42.3-C, (Horizontal or Vertical) Grain Direction: TBD. Wall Cleats Provided for Installation. Note: Customer Walls must be Adequately Constructed to Accept Wall-Hung Units.	QWP63F64	1698	1	\$1,698
Coda Wall Panel Shelves, 64"w 11.3"d 1.5"th, To Be Installed at 64-42.3-C on Wall Panel on Line 8. Maximum Load on Wall Panel Shelves is 50 lbs. Per Lineal Foot.	QWS64	1050	1	\$1,050
Priced in a Wood1 finish.	Total:			\$23,511

Description	Product Number	List \$	Qty	Extended \$
Coda-Plinth table, 80"w 36"d 29.9"h, 1.5"th Top w/square-cut edges, plinth base has a (MRBS) resin brushed steel base plate, (horizontal or vertical) grain direction on base: TBD.	QAPR8036	4328	1	\$4,328
Coda bridge LH CredenzaAttach-SwingCabinet, 80"w 21.75"d 24"h, bridge with credenza attachment LH - SwingCabinet RH, finished back, no locks, (horizontal or vertical) grain direction: TBD.	QESFL80	2610	1	\$2,610
Coda credenza: Cab-B/F-Cab, 64"w 21.75"d 19.5"h, comprised of: 16"w LH Cabinet - 32"w Box/File - 16"w RH Cabinet; finished top, finished back, locks included. Box/File unit includes blade pull on file drawer w/(MRBAS) resin brushed aluminum with steel tint finish, (horizontal or vertical) grain direction: TBD. To be installed below bridge on line 2.	QFL2RF	4970	1	\$4,970
Coda LH wall hung garment, 21"w 13.5"d 57.2"h (63"h Installed), unfinished back, (horizontal or vertical) grain direction: TBD. Wall cleats provided for installation. Note: Customer walls must be adequately constructed to accept wall-hung units.	QWXG4	2406	1	\$2,406
Coda Full Ht Wall Panel, 80"w 57.2"h 1.5"th (63"h Installed), 1-Section, Shelving to be Installed at 32-42.3-R, 32-28.4-R, 32-14.4-R, (Horizontal or Vertical) Grain Direction: TBD. Wall Cleats Provided for Installation. Note: Customer Walls must be Adequately Constructed to Accept Wall-Hung Units.	QWP63F80	2126	1	\$2,126
Coda Wall Panel Shelves, 32"w 11.3"d 1.5"th, To Be Installed at 32-42.3-R, 32-28.4-R, 32-14.4-R on Wall Panel on Line 5. Maximum Load on Wall Panel Shelves is 50 lbs. Per Lineal Foot.	QWS32	875	3	\$2,625
Coda Full Ht Wall Panel, 64"w 57.2"h 1.5"th (63"h Installed), 1-Section, No Shelving, (Horizontal or Vertical) Grain Direction: TBD. Wall Cleats Provided for Installation. Note: Customer Walls must be Adequately Constructed to Accept Wall-Hung Units.	QWP63F64	1698	1	\$1,698
Coda Full Ht Wall Panel, 64"w 57.2"h 1.5"th (63"h Installed), 1-Section, Shelving to be Installed at 64-42.3-C, (Horizontal or Vertical) Grain Direction: TBD. Wall Cleats Provided for Installation. Note: Customer Walls must be Adequately Constructed to Accept Wall-Hung Units.	QWP63F64	1698	1	\$1,698
Coda Wall Panel Shelves, 64"w 11.3"d 1.5"th, To Be Installed at 64-42.3-C on Wall Panel on Line 8. Maximum Load on Wall Panel Shelves is 50 lbs. Per Lineal Foot.	QWS64	1050	1	\$1,050
Priced in a Wood1 finish.	Total:			\$23,511

Illustration 3D CAD

Description	Product Number	List \$	Qty	Extended \$
Coda Table-Sgl Wire Base, 40" Diameter 29.9"h, Base Has (MRBS) Resin Brushed Steel Finish.	QAWR40	3423	1	\$3,423
Coda Wall-Hung Garment LH, 21"w 13.5"d 57.2"h (63"h Installed), Unfinished Back, (Vertical or Horizontal) Grain Direction: TBD. Wall Cleats Provided For Installation. Note: Customer Walls Must Be Adequately Constructed To Accept Wall-hung Units.	QWXG4	2406	1	\$2,406
Coda Wall Panel/Full Height, 64"w 57.2"h 1.5"th (63"h Installed), 1-Piece Full Height; Shelf Location: 64-42.3, Unfinished Back, (Vertical or Horizontal) Grain Direction: TBD. Wall Cleats Provided For Installation. Note: Customer Walls Must Be Adequately Constructed To Accept Wall-hung Units.	QWP63F64	1698	1	\$1,698
Coda Wall Pnl Cab/Lift Door, 32"w 12"d 15.4"h, Cabinet With Lift Door, Locks Optional, Unfinished Back, (Vertical or Horizontal) Grain Direction: TBD. Cabinet Field Installed With a LH Alignment On The Wall Panel On Line 3.	QWXW	1946	1	\$1,946
Coda Wall Panel Shelf, 64"w 11.3"d 1.5" Thick, Maximum Load On Wall Panel Shelves Is 50 Lbs. Per Lineal Foot. To Be Installed on Wall Panel on Line 3.	QWS64	1050	1	\$1,050
Coda Wall Panel/Full Height, 80"w 57.2"h 1.5"th (63"h Installed), 1-Piece Full Height; Shelf Locations: 32-42.3-R, 32-28.4-R, 32-14.4-R, Unfinished Back, (Vertical or Horizontal) Grain Direction: TBD. Wall Cleats Provided For Installation. Note: Customer Walls Must Be Adequately Constructed To Accept Wall-hung Units.	QWP63F80	2126	1	\$2,126
Coda Wall Panel Shelf, 32"w 11.3"d 1.5" Thick, Maximum Load On Wall Panel Shelves Is 50 Lbs. Per Lineal Foot. To Be Installed on Wall Panel on Line 6.	QWS32	875	3	\$2,625
Priced in a Wood1 finish.	Total:			\$15,274

Description	Product Number	List \$	Qty	Extended \$
Coda Wire Table-Sgl Base, 72"w 36"d 29.9"h, Wood1 Top, (MRBS) Resin Brushed Steel Single Wire Base.	QAWRP7236	3581	1	\$3,581
Coda Wall Panel/Full Height, 64"w 57.2"h 1.5"th (63"h Installed), 1-Piece Full Height; Unfinished Back, (Horizontal or Vertical) Grain Direction: TBD. Wall Cleats Provided For Installation. Note: Customer Walls Must Be Adequately Constructed To Accept Wall-hung Units.	QWP63F64	1698	1	\$1,698
Coda Wall Panel/Full Height, 64"w 57.2"h 1.5"th (63"h Installed), 1-Piece Full Height; Shelf Location: 64-42.3, Unfinished Back, (Horizontal or Vertical) Grain Direction: TBD. Wall Cleats Provided For Installation. Note: Customer Walls Must Be Adequately Constructed To Accept Wall-Hung Units.	QWP63F64	1698	1	\$1,698
Coda Wall-Hung Cab/Lift Dr, 32"w 13.5"d 15.4"h, Wall Hung Cabinet With Lift Door, Locks Optional, Unfinished Back, (Horizontal or Vertical) Grain Direction: TBD. Wall Cleats Provided For Installation. Note: Customer Walls Must Be Adequately Constructed To Accept Wall-Hung Units. To Be Installed on LH Side of Wall Panel on Line 3.	QWXX	1946	1	\$1,946
Coda Wall Panel Shelf, 64"w 11.3"d 1.5" Thick, Maximum Load On Wall Panel Shelves Is 50 Lbs. Per Lineal Foot. To Be Installed on Wall Panel on Line 3.	QWS64	1050	1	\$1,050
Coda Credenza: Cab-B/F-Cab, 64"w 21"d 19.5"h, Comprised Of: 16"w LH Cabinet - 32"w Box/File - 16"w RH Cabinet; Finished Top, Locks Included, Unfinished Back, (Horizontal or Vertical) Grain Direction: TBD.	QFL2RU	4258	1	\$4,258
Priced in a Wood1 finish.	Total:			\$14,231

Description	Product Number	List \$	Qty	Extended \$
Coda Table-DbI X-Bases, 80"w 36"d 29.9"h, Bases Have (MRBS) Resin Brushed Steel Finish.	QAXR8036	5373	2	\$10,746
Coda Bridge SwCab-CredAttachRH, 80"w 21.75"d 24"h, Bridge With Swing Cabinet LH - Credenza Attachment RH, Locks Optional, Finished Back, (Horizontal or Vertical) Grain Direction: TBD.	QESFR80	2610	1	\$2,610
Coda Credenza: Cab-B/F-Cab, 64"w 21"d 19.5"h, Comprised Of: 16"w LH Cabinet - 32"w Box/File - 16"w RH Cabinet; Finished Top, Locks Included, Unfinished Back, (Horizontal or Vertical) Grain Direction: TBD.	QFL2RU	4258	2	\$8,516
Coda Credenza: B/F-Cab, 48"w 21"d 19.5"h, Credenza Comprised Of: 32"w Box/File - 16"w RH Cabinet; Finished Top, Locks Included, Unfinished Back, (Horizontal or Vertical) Grain Direction: TBD.	QF2RU	3220	1	\$3,220
Coda Wall Panel/Full Height, 101"w 57.2"h 1.5" Thick (63"h Installed), 1-piece Full Height; Shelf Location: 32-42.3-R, Unfinished Back, (Horizontal or Vertical) Grain Direction: TBD. Wall Cleats Provided For Installation. Note: Customer Walls Must Be Adequately Constructed To Accept Wall-hung Units.	QWP63F101	2553	1	\$2,553
Coda Wall-Hung Cab/Lift Dr, 32"w 13.5"d 15.4"h, Wall Hung Cabinet With Lift Door, Locks Optional, Unfinished Back, (Horizontal or Vertical) Grain Direction: TBD. Wall Cleats Provided For Installation. Note: Customer Walls Must Be Adequately Constructed To Accept Wall-Hung Units. To Be Installed On RH Side of Wall Panel on Line 5.	QWXX	1946	1	\$1,946
Coda Wall Panel Shelf, 32"w 11.3"d 1.5" Thick, Maximum Load On Wall Panel Shelves Is 50 Lbs. Per Lineal Foot. To Be Installed On RH Side of Wall Panel on Line 5.	QWS32	875	1	\$875
Coda Wall Panel/Full Height, 101"w 57.2"h 1.5" Thick (63"h Installed), 1-piece Full Height; Shelf Location: 32-42.3-L, Unfinished Back, (Horizontal or Vertical) Grain Direction: TBD. Wall Cleats Provided For Installation. Note: Customer Walls Must Be Adequately Constructed To Accept Wall-hung Units.	QWP63F101	2553	1	\$2,553
Coda Wall-Hung Cab/Lift Dr, 32"w 13.5"d 15.4"h, Wall Hung Cabinet With Lift Door, Locks Optional, Unfinished Back, (Horizontal or Vertical) Grain Direction: TBD. Wall Cleats Provided For Installation. Note: Customer Walls Must Be Adequately Constructed To Accept Wall-Hung Units. To Be Installed On LH Side of Wall Panel on Line 6.	QWXX	1946	1	\$1,946
Coda Wall Panel Shelf, 32"w 11.3"d 1.5" Thick, Maximum Load On Wall Panel Shelves Is 50 Lbs. Per Lineal Foot. To Be Installed On LH Side of Wall Panel on Line 5.	QWS32	875	1	\$875
Priced in a Wood1 finish.	Total:			\$35,840

Description	Product Number	List \$	Qty	Extended \$
Coda Table-DbI X-Bases, 80"w 36"d 29.9"h, Bases Have (MRBS) Resin Brushed Steel Finish.	QAXR8036	5373	1	\$5,373
Coda Bridge SwCab-CredAttachRH, 80"w 21.75"d 24"h, Bridge With Swing Cabinet LH - Credenza Attachment RH, Locks Optional, Finished Back, (Horizontal or Vertical) Grain Direction: TBD.	QESFR80	2610	1	\$2,610
Coda Credenza: Cab-B/F-Cab, 64"w 21"d 19.5"h, Comprised Of: 16"w LH Cabinet - 32"w Box/File - 16"w RH Cabinet; Finished Top, Locks Included, Unfinished Back, (Horizontal or Vertical) Grain Direction: TBD.	QFL2RU	4258	1	\$4,258
Coda Credenza : DbICab, 32"w 21"d 19.5"h, Double Door Cabinet; Finished Top, Locks Included, Unfinished Back, (Horizontal or Vertical) Grain Direction: TBD.	QFNU	2353	1	\$2,353
Coda Wall Panel/Full Height, 96"w 57.2"h 1.5"th (63"h Installed), 1-Piece Full Height; Shelf Location: 64-42.3-L, Unfinished Back, (Horizontal or Vertical) Grain Direction: TBD. Wall Cleats Provided For Installation. Note: Customer Walls Must Be Adequately Constructed To Accept Wall-hung Units.	QWP63F96	2351	1	\$2,351
Coda Wall-Hung Cab/Lift Dr, 32"w 13.5"d 15.4"h, Wall Hung Cabinet With Lift Door, Locks Optional, Unfinished Back, (Horizontal or Vertical) Grain Direction: TBD. Wall Cleats Provided For Installation. Note: Customer Walls Must Be Adequately Constructed To Accept Wall-Hung Units. To Be Installed on Wall Panel on Line 5.	QWXX	1946	3	\$5,838
Coda Wall Panel Shelf, 64"w 11.3"d 1.5" Thick, Maximum Load On Wall Panel Shelves Is 50 Lbs. Per Lineal Foot. To Be Installed on Wall Panel on Line 5.	QWS64	1050	1	\$1,050
Coda Wall-Hung Garment RH, 21"w 13.5"d 57.2"h (63"h Installed), Unfinished Back, (Horizontal or Vertical) Grain Direction: TBD. Wall Cleats Provided For Installation. Note: Customer Walls Must Be Adequately Constructed To Accept Wall-hung Units.	QWXH4	2406	1	\$2,406
Priced in a Wood1 finish.	Total:			\$26,239