

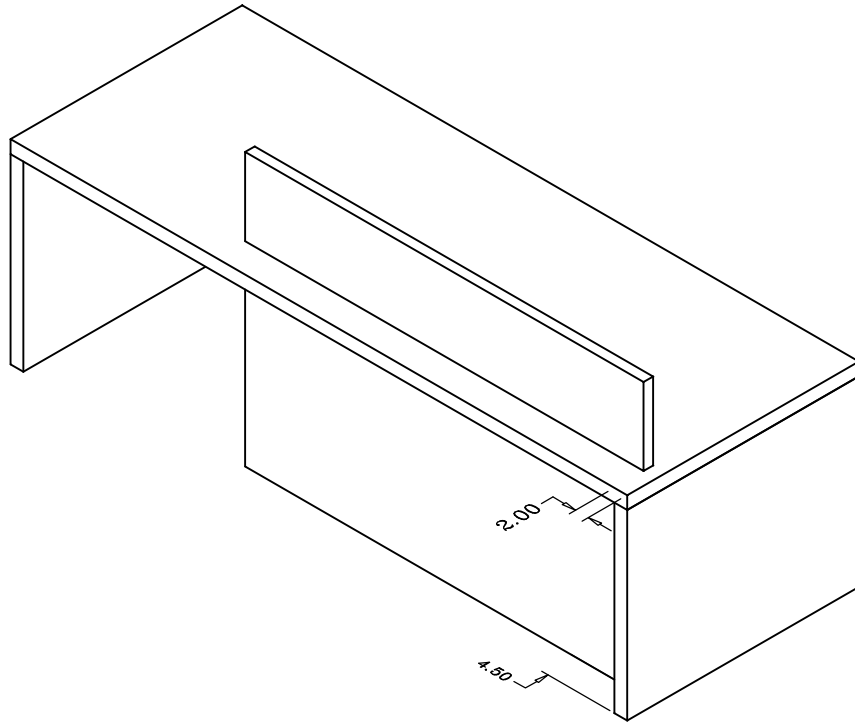
INSTALLATION GUIDE
Arrive Collection

April 1, 2017

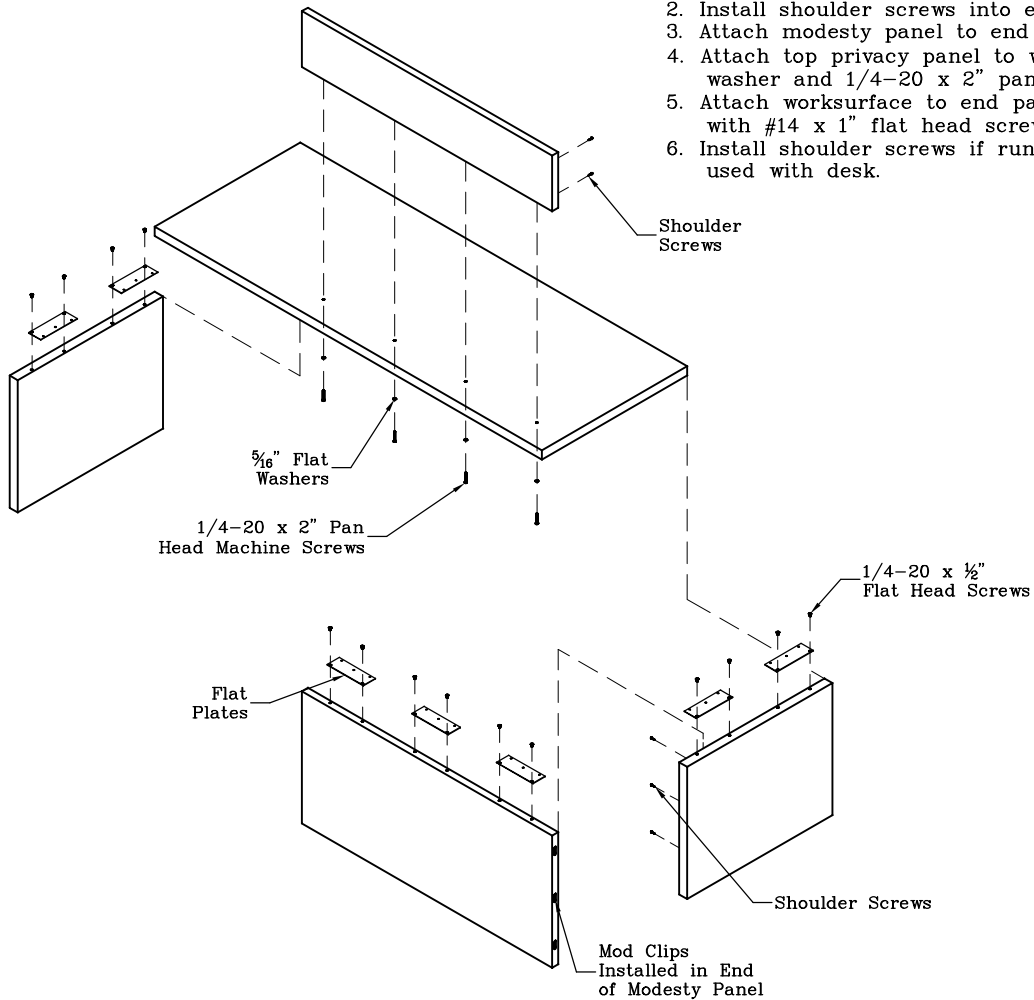
TUOHY



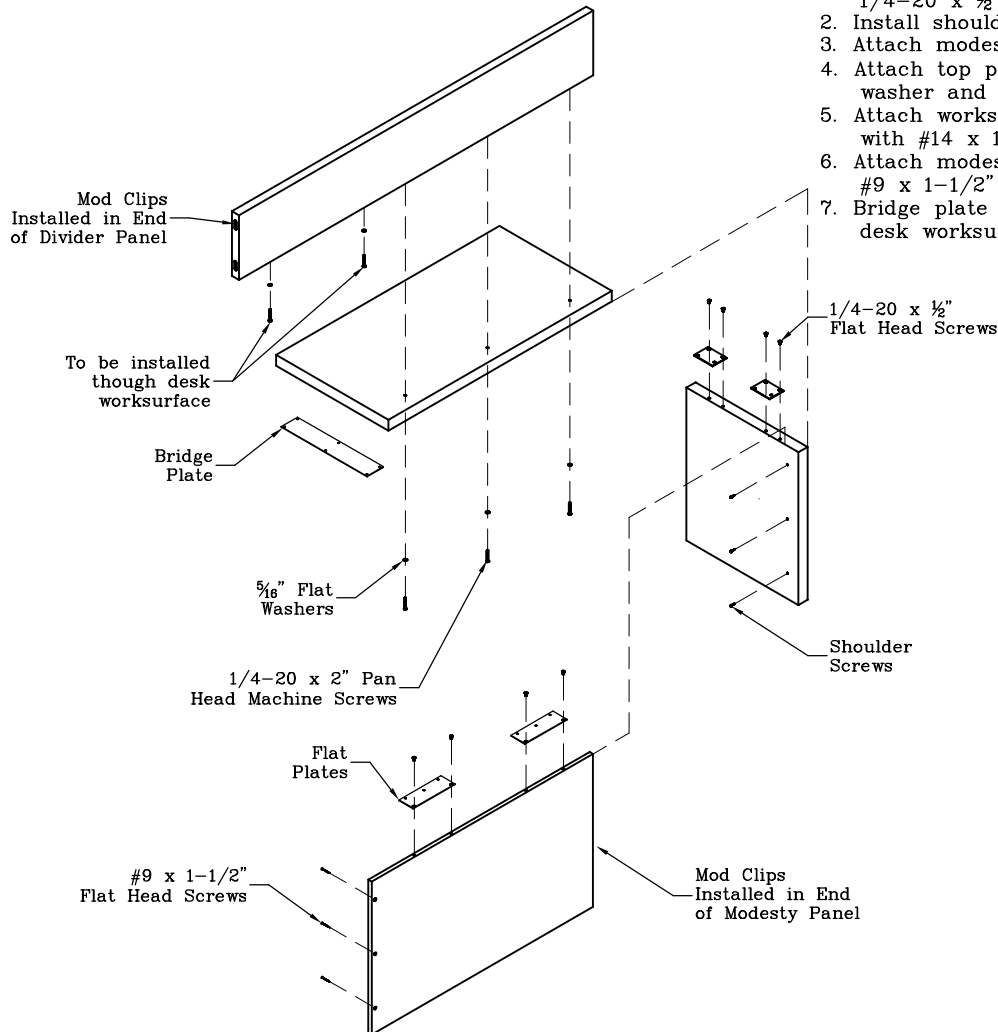
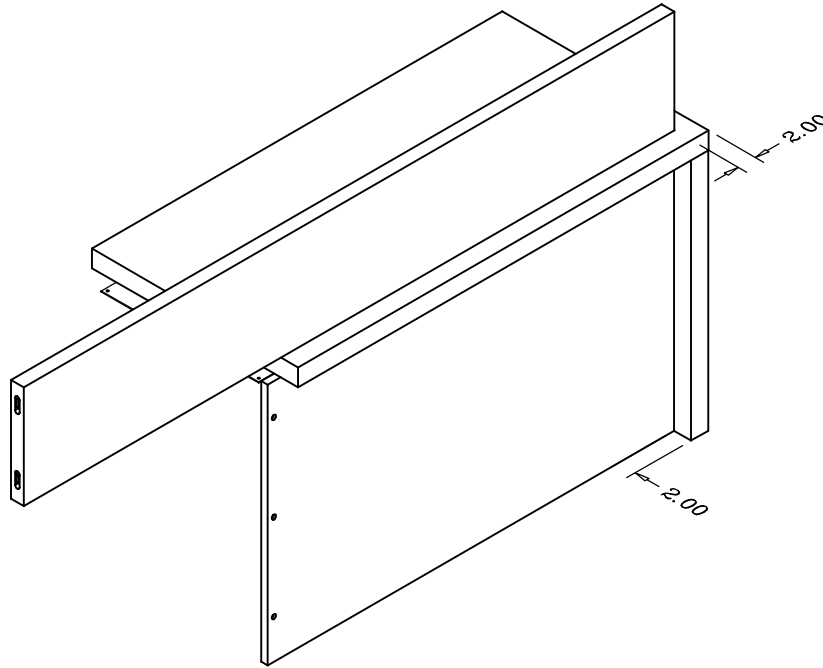
DESK



1. Attach flat plates to end and modesty panels with 1/4-20 x 1/2" F.H screws.
2. Install shoulder screws into end panel.
3. Attach modesty panel to end panel with mod clips.
4. Attach top privacy panel to worksurface using 5/16" flat washer and 1/4-20 x 2" pan head machine screw.
5. Attach worksurface to end panels and modesty panel with #14 x 1" flat head screws.
6. Install shoulder screws if runoff or bridge is to be used with desk.

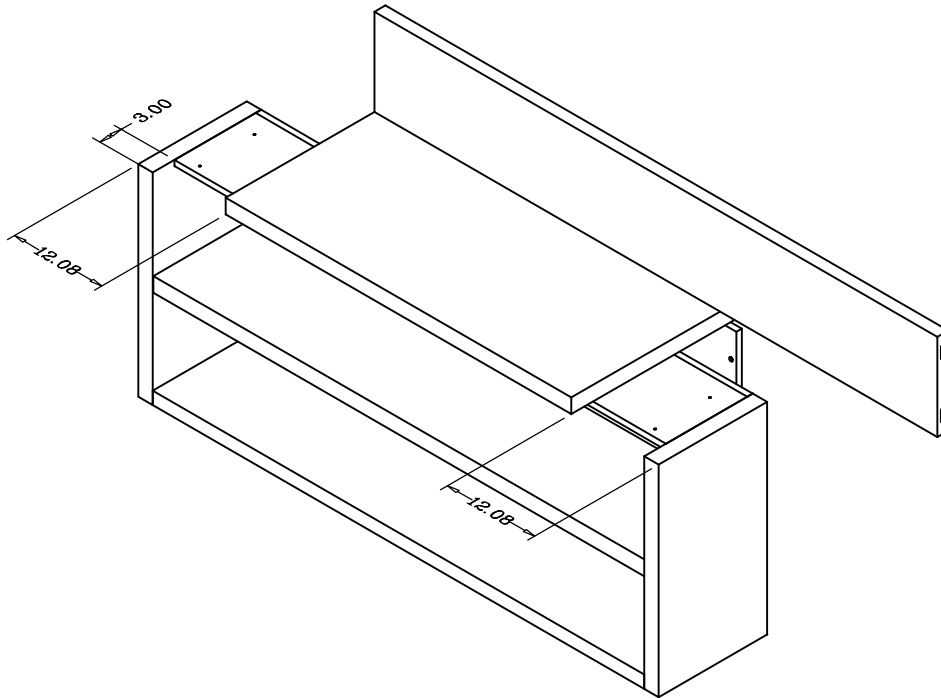


RUNOFF

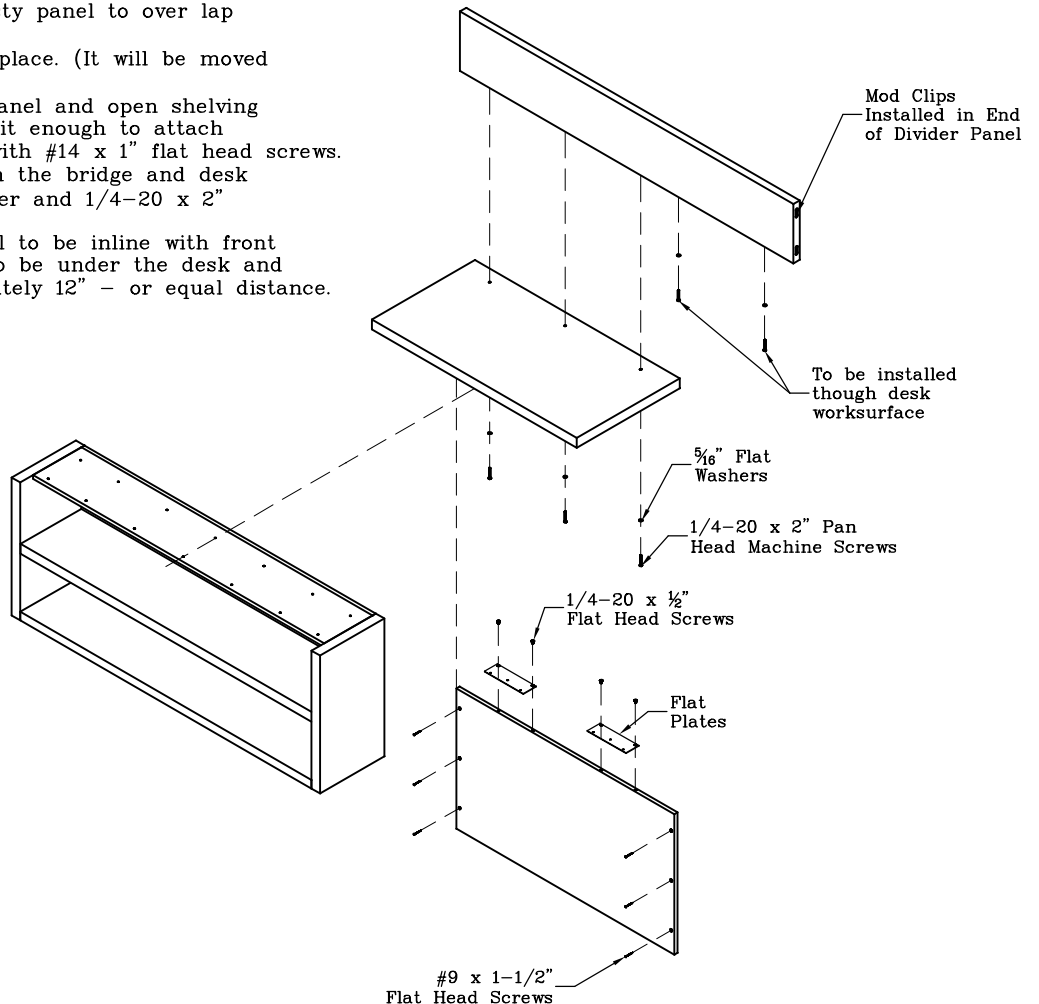


1. Attach flat plates to end and modesty panel with 1/4-20 x 1/2" F.H screws.
2. Install shoulder screws into end panel.
3. Attach modesty panel to end panel with mod clips.
4. Attach top privacy panel to worksurface using 5/16" flat washer and 1/4-20 x 2" pane head machine screws.
5. Attach worksurface to end panel and modesty panel with #14 x 1" flat head screws.
6. Attach modesty panel to desk end panel with #9 x 1-1/2" flat head screws.
7. Bridge plate to be attached to bottom of runoff and desk worksurface with #10 x 1" pan head screws.

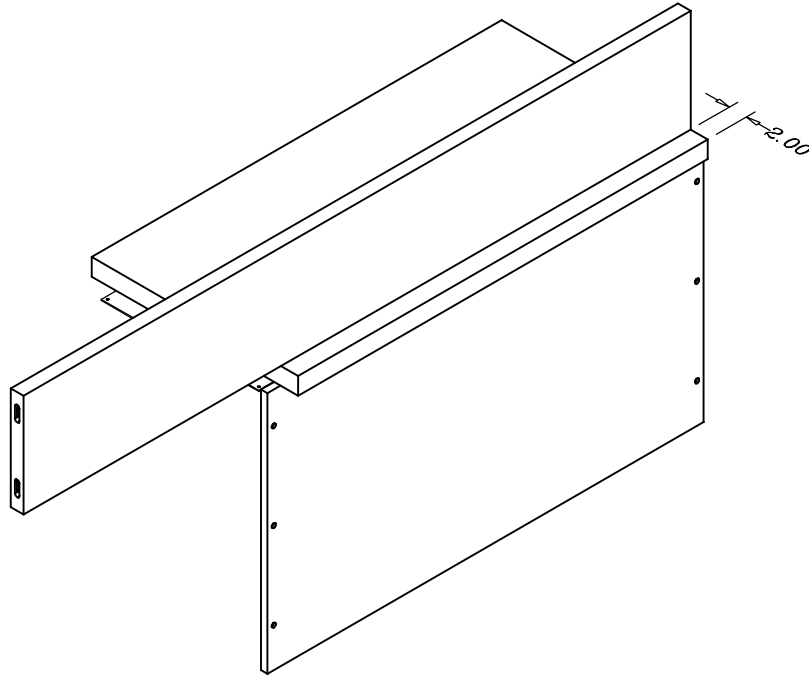
BRIDGE WITH OPEN SHELVING



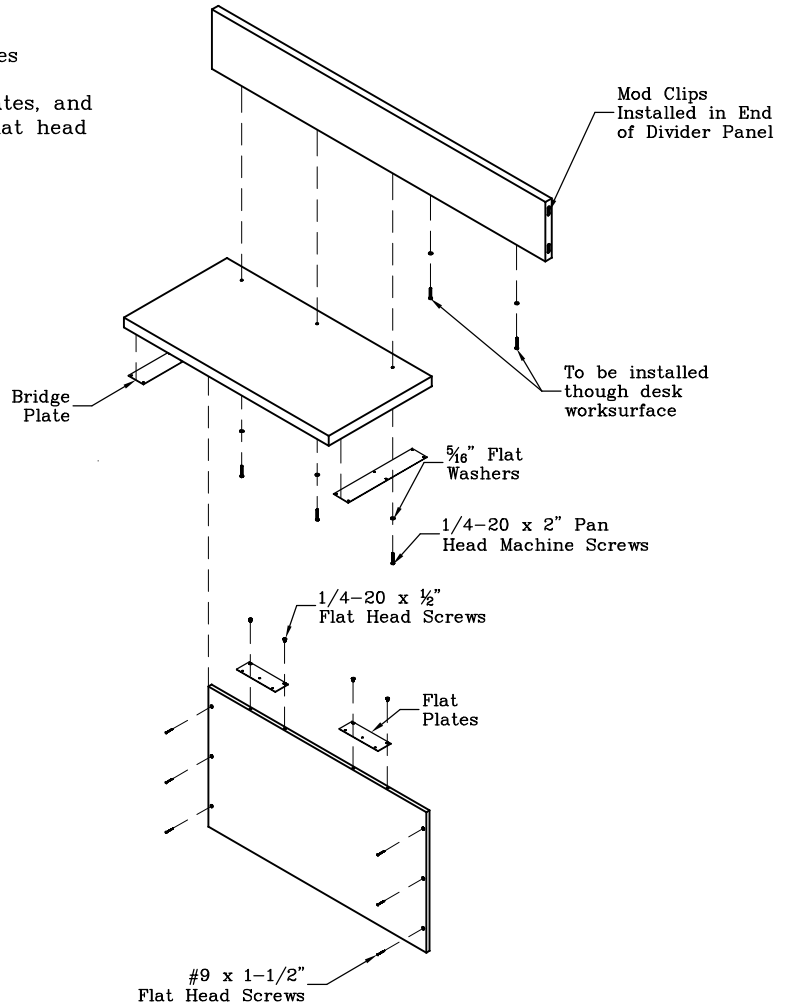
1. Attach flat plates to end and modesty panel with 1/4-20 x 1/2" F.H screws.
2. Install modesty panel with #9 x 1-1/2" screws to desk and credenza end panels. Modesty panel to over lap both end panels by 1-1/2".
3. Place open shelving pedestal in place. (It will be moved to attach modesty panel)
4. Place worksurface on modesty panel and open shelving pedestal. Move open shelving unit enough to attach modesty panel to worksurface with #14 x 1" flat head screws.
5. Attach top privacy panel to both the bridge and desk worksurface using 5/16" flat washer and 1/4-20 x 2" pan head machine screws.
6. Reposition open shelving pedestal to be inline with front of worksurface. Open shelving to be under the desk and credenza worksurface approximately 12" - or equal distance.



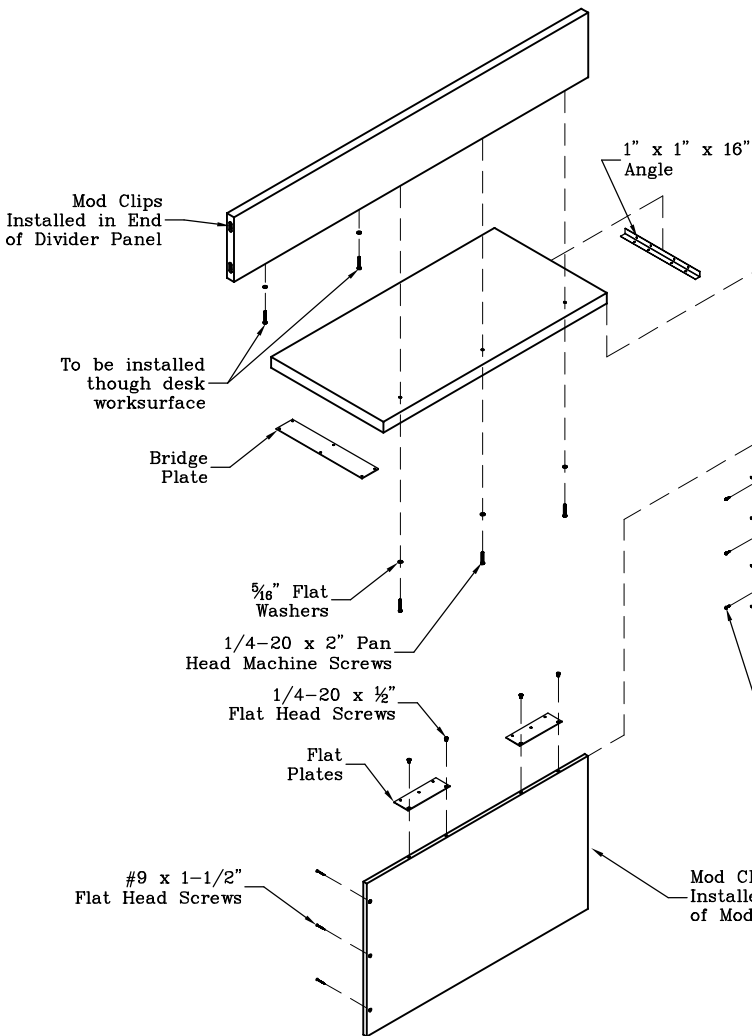
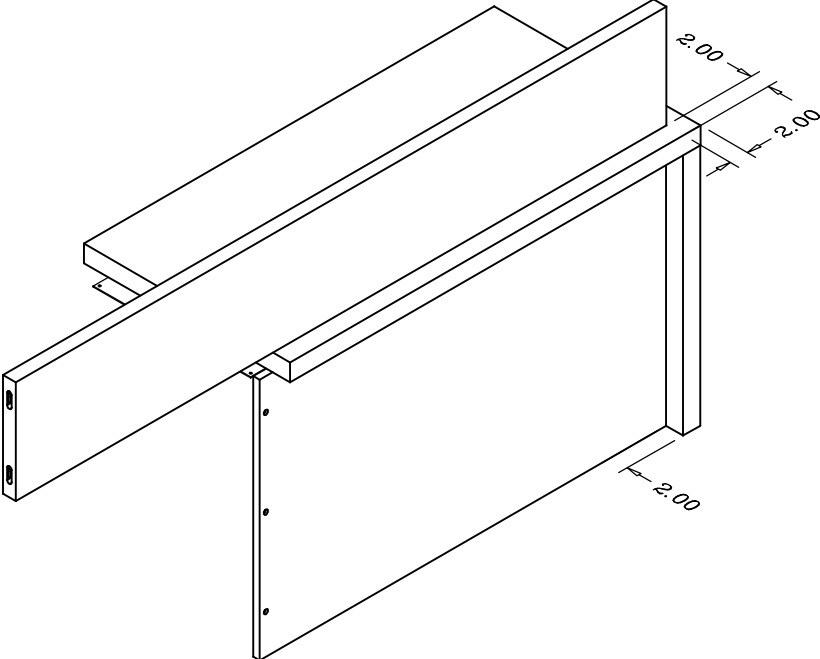
BRIDGE SHELL



1. Attach flat plates to end and modesty panel with 1/4-20 x 1/2" F.H screws.
2. Install modesty panel with #9 x 1-1/2" screws to desk and credenza end panels. Modesty panel to over lap both end panels by 1-1/2".
3. Install Bridge plates to desk and credenza worksurfaces with #10 x 1" pan head screws.
4. Attach worksurface with #10 x 1" screws to bridge plates, and attach modesty panel to worksurface with #14 x 1" flat head screws.
5. Attach top privacy panel to both the bridge and desk worksurface using 5/16" flat washer and 1/4-20 x 2" pan head machine screws.

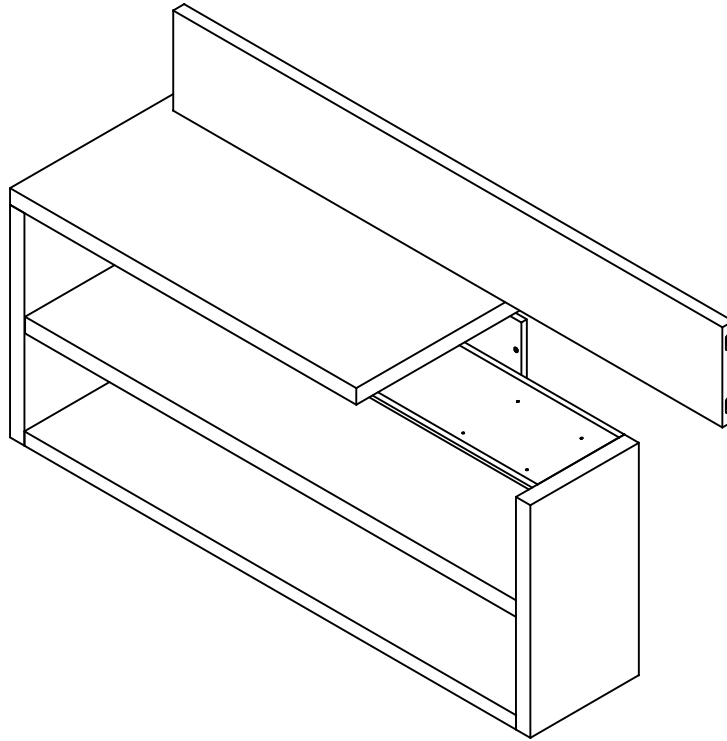


BRIDGE – TOWER ATTACHMENT

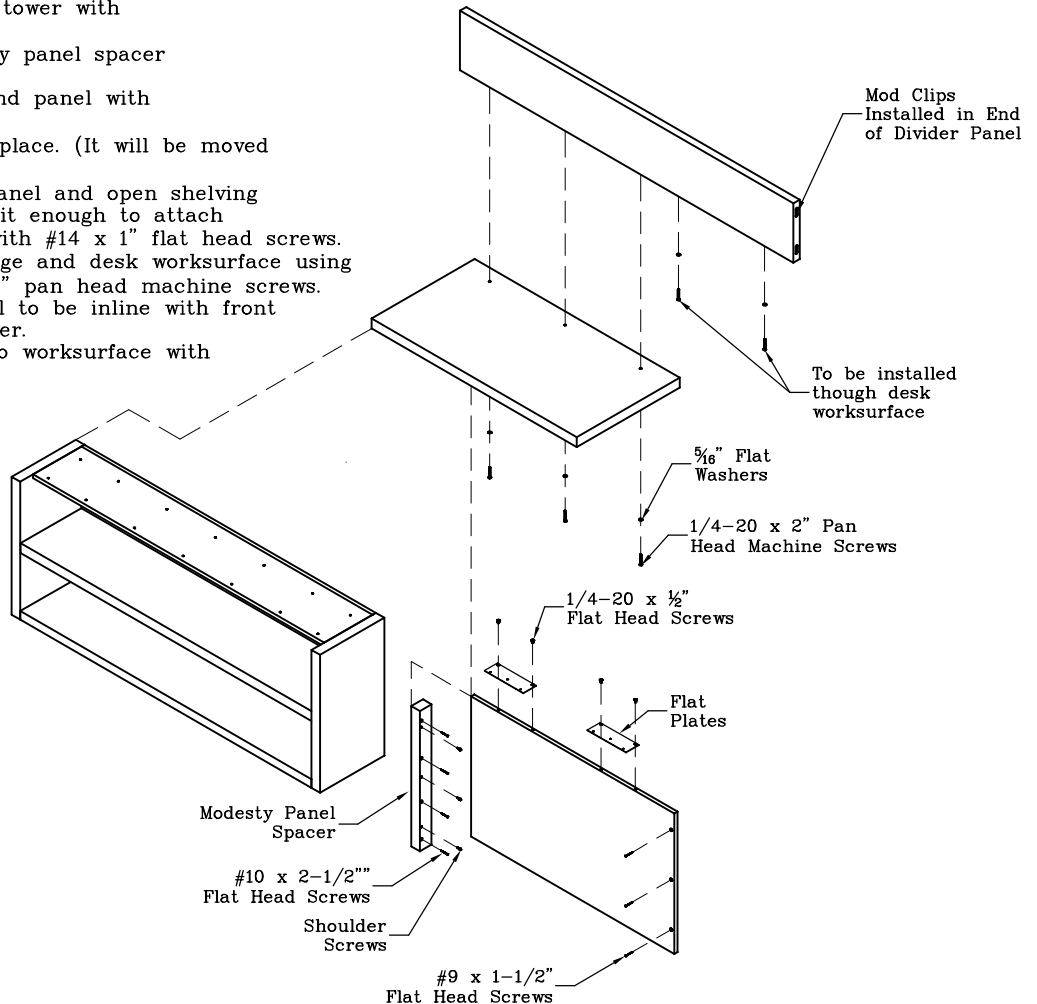


1. Attach flat plates to modesty panel with 1/4-20 x 1/2" F.H. screws.
2. Install shoulder screws into modesty panel spacer.
3. Attach modesty panel spacer to tower with #10 x 2-1/2" flat head screws.
4. Attach modesty panel to modesty panel spacer with mod clips.
5. Attach modesty panel to desk end panel with #9 x 1-1/2" flat head screws.
6. Attach 1" x 1" x 16" angle to tower with #9 x 3/4" flat head screws.
7. Attach worksurface to modesty panel with #14 x 1" flat head screws.
8. Bridge plate to be attached to bottom of runoff and desk worksurface with #10 x 1" pan head screws.
9. Attach top privacy panel to bridge and desk worksurface using 5/16" flat washer and 1/4-20 x 2" pan head machine screws.

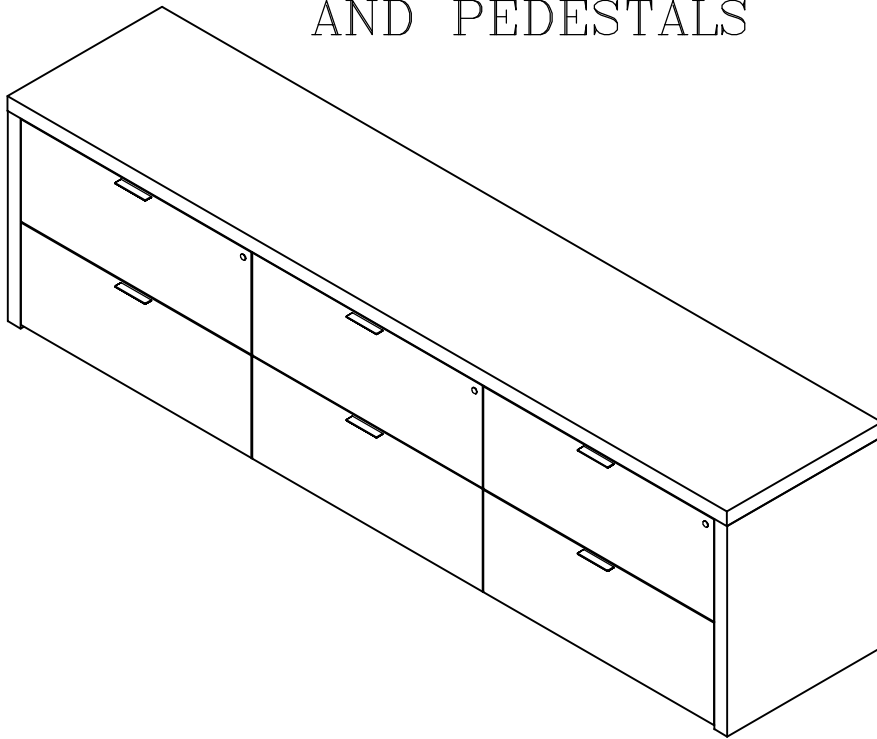
BRIDGE – TOWER WITH OPEN SHELVING



1. Attach flat plates to end and modesty panel with 1/4-20 x 1/2" F.H screws.
2. Install shoulder screws into modesty panel spacer.
3. Attach modesty panel spacer to tower with #10 x 2-1/2" flat head screws.
4. Attach modesty panel to modesty panel spacer with mod clips.
5. Attach modesty panel to desk end panel with #9 x 1-1/2" flat head screws.
6. Place open shelving pedestal in place. (It will be moved to attach modesty panel)
7. Place worksurface on modesty panel and open shelving pedestal. Move open shelving unit enough to attach modesty panel to worksurface with #14 x 1" flat head screws.
8. Attach top privacy panel to bridge and desk worksurface using 5/16" flat washer and 1/4-20 x 2" pan head machine screws.
9. Reposition open shelving pedestal to be inline with front of worksurface and tight to tower.
10. Attach open shelving pedestal to worksurface with #9 x 1-1/4" flat head screws.



CREDENZA TOPS, END PANELS, AND PEDESTALS



1. Attach flat plates to end and modesty panel with 1/4-20 x 1/2" F.H screws.
2. Attach end panels to worksurface with #14 x 1" flat head screws.
3. Attach pedestals to worksurface with #9 x 1-1/4" flat head screws.
4. Attach pedestals together with #9 x 1-1/4" flat head screws.

