



INSTALLATION GUIDE
Bau Bench

October 9, 2018

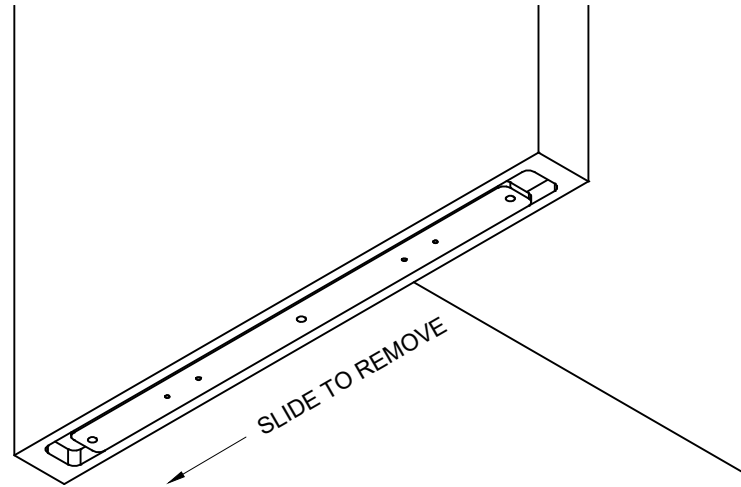
TUOHY

BAU BENCH-FLOOR CONNECTION

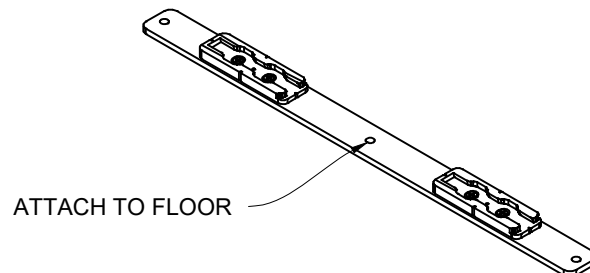
(Not required for Bau Table usage)

Attachment to Floor:

1. Remove bracket from bottom of leg by sliding it.
2. Secure bracket to floor - hardware not provided.



Bottom view of bench end panel.



INSTALL BENCH:

1. Place bench over bracket and slide to lock into place.

