



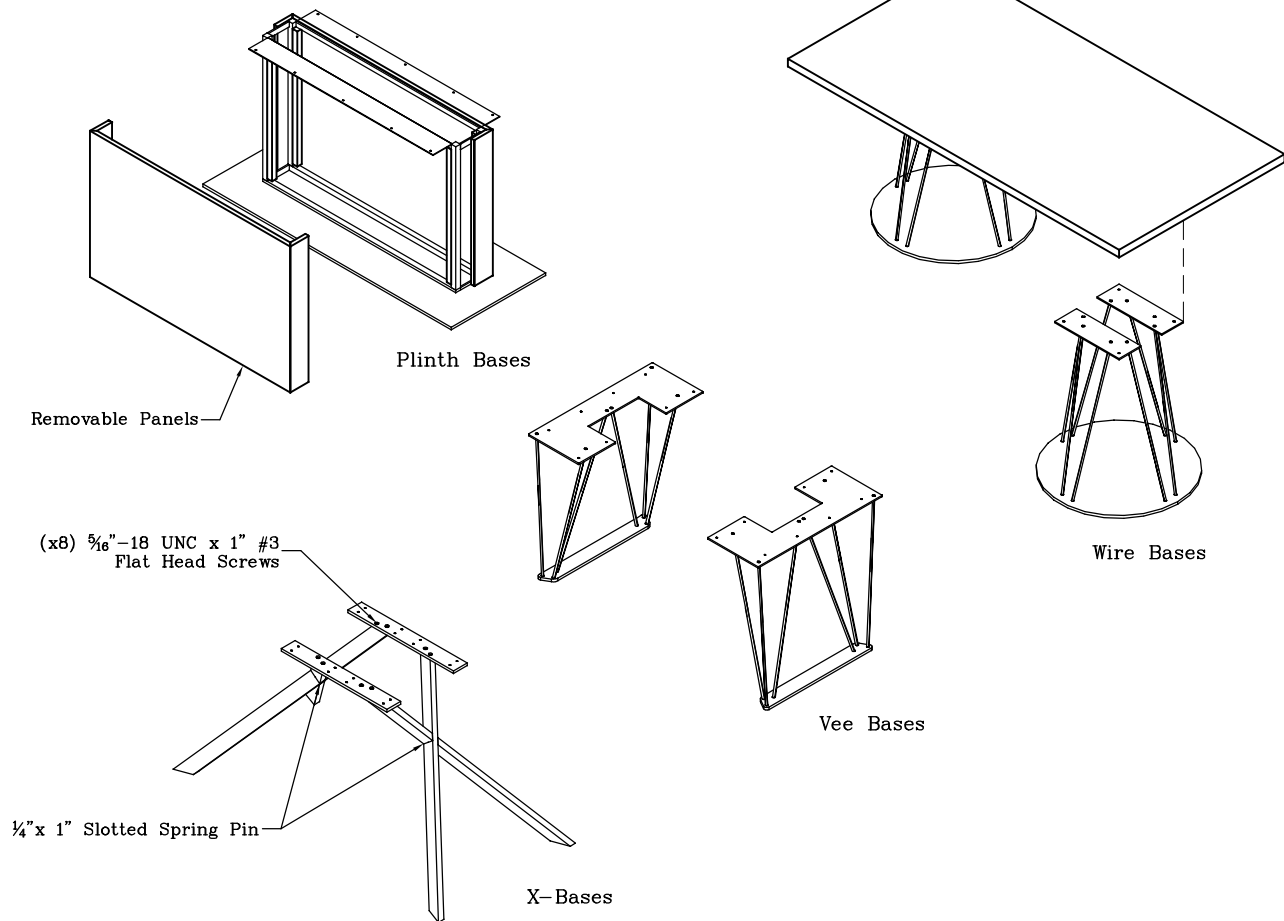
INSTALLATION GUIDE
Coda Collection

April 1, 2017

TUOHY

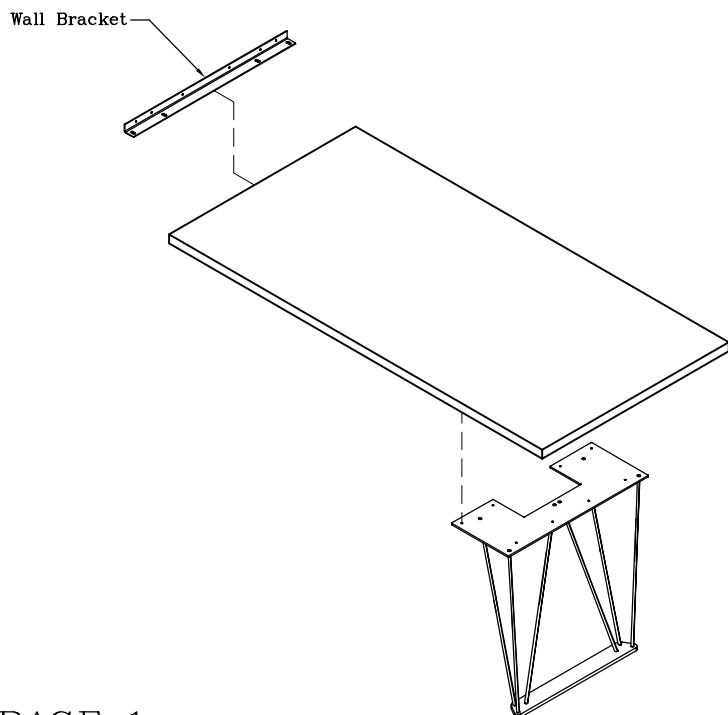
CODA TABLE BASE OPTIONS

1. Locate bases under top with pre-drilled holes.
2. Install #16 x 1" Pan head screws (X-Base uses #9 x 1-1/2" flat head screws)

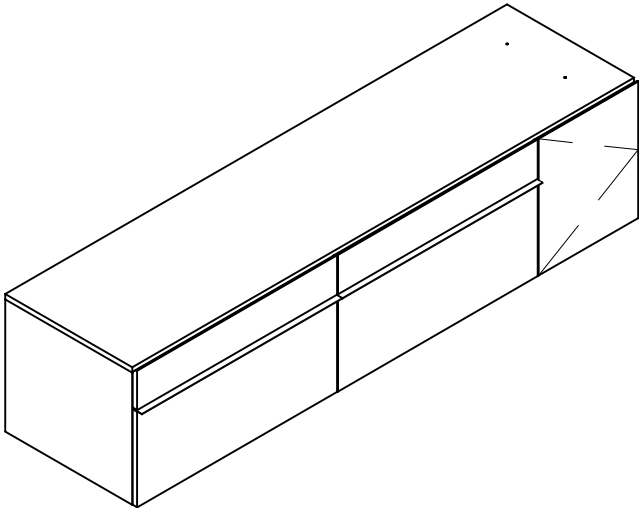


CODA TABLE PANEL/ WALL CONNECTION

1. Locate bases under top with pre-drilled holes.
2. Install #16 x 1" Pan head screws (X-Base uses #9 x 1-1/2" flat head screws)
3. Attach wall bracket to wall panel with #9 x 1-1/2" flat head screws. Check wall panel for proper backing. See wall panel section.
4. If attaching to sheet rock wall use appropriate connectors. (not provided screws)

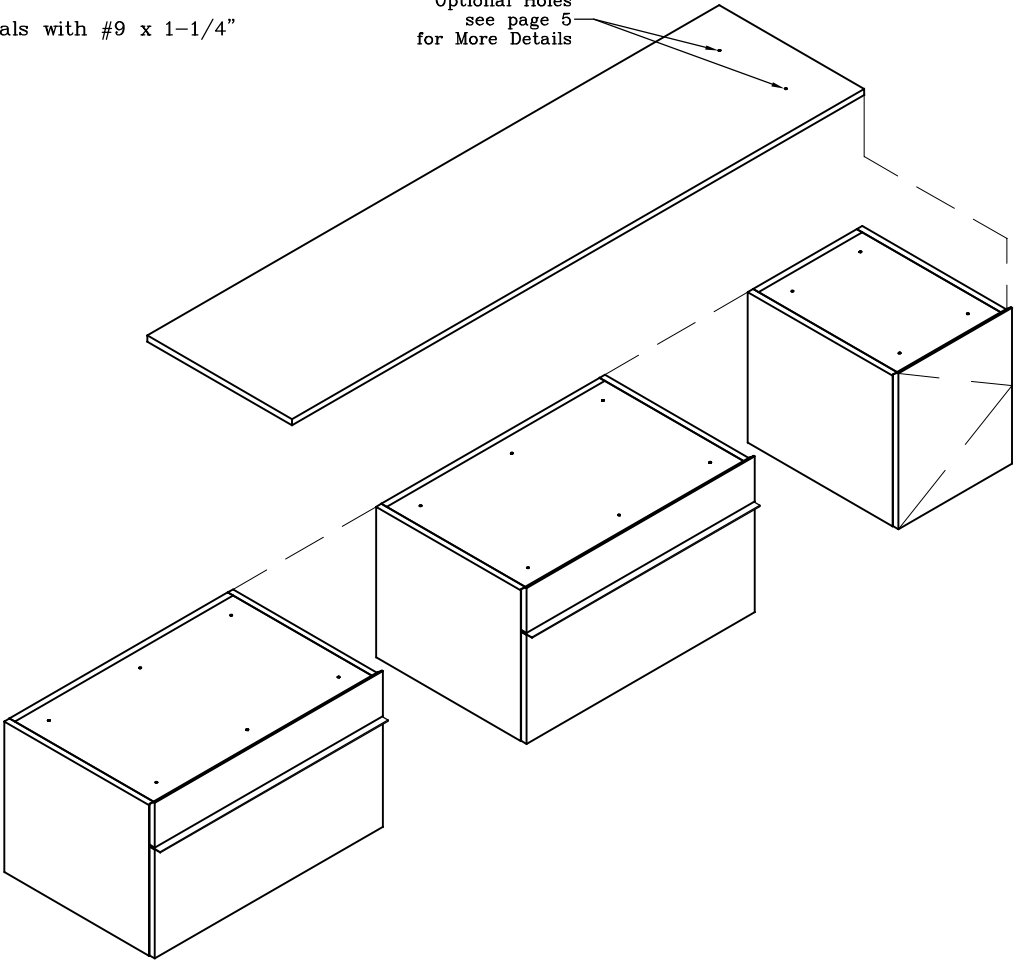


Pedestal Attachment

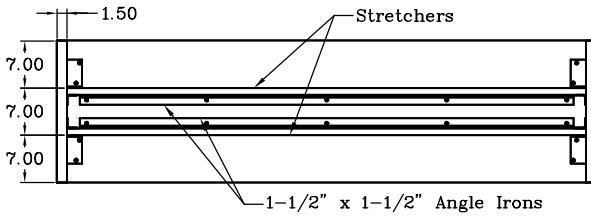
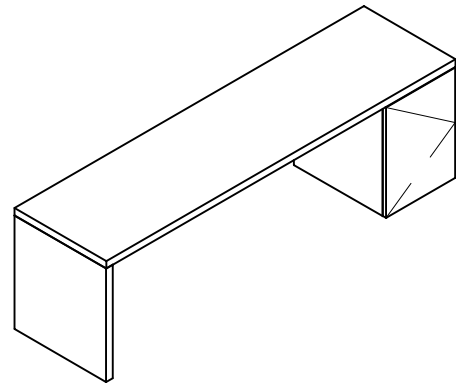
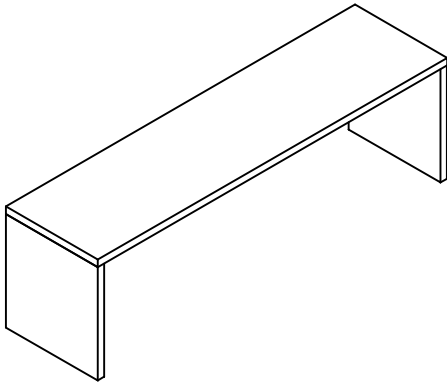


-
1. Attach pedestals together using #9 x 1-1/4" flat head screws.
 2. Attach worksurface to pedestals with #9 x 1-1/4" flat head screws.

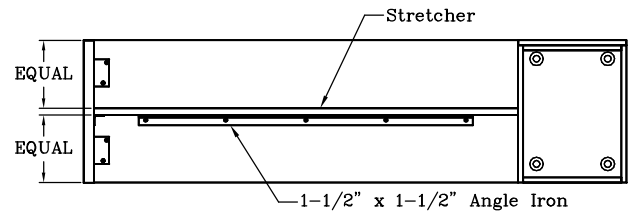
Optional Holes
see page 5
for More Details



RUNOFFS



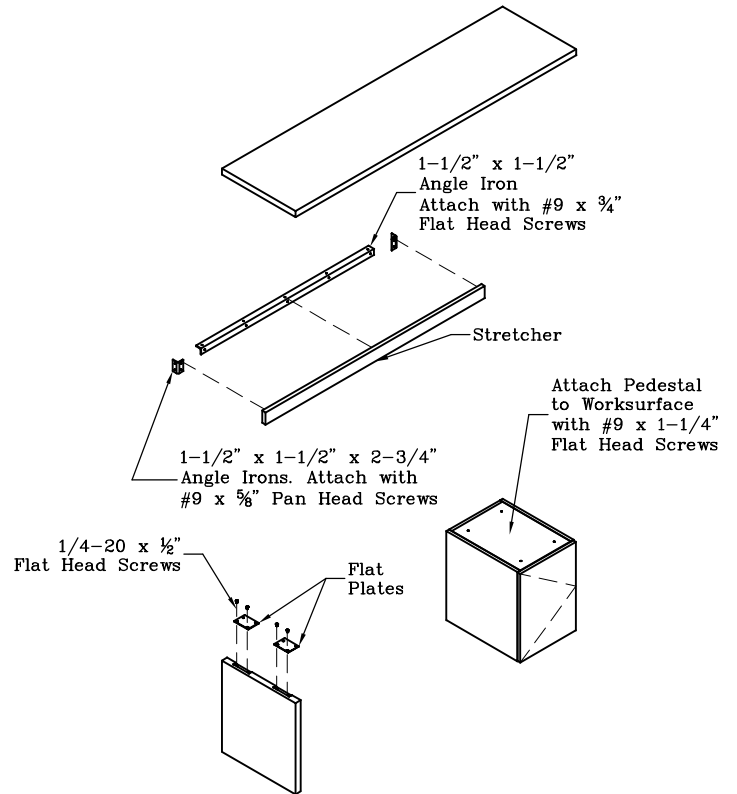
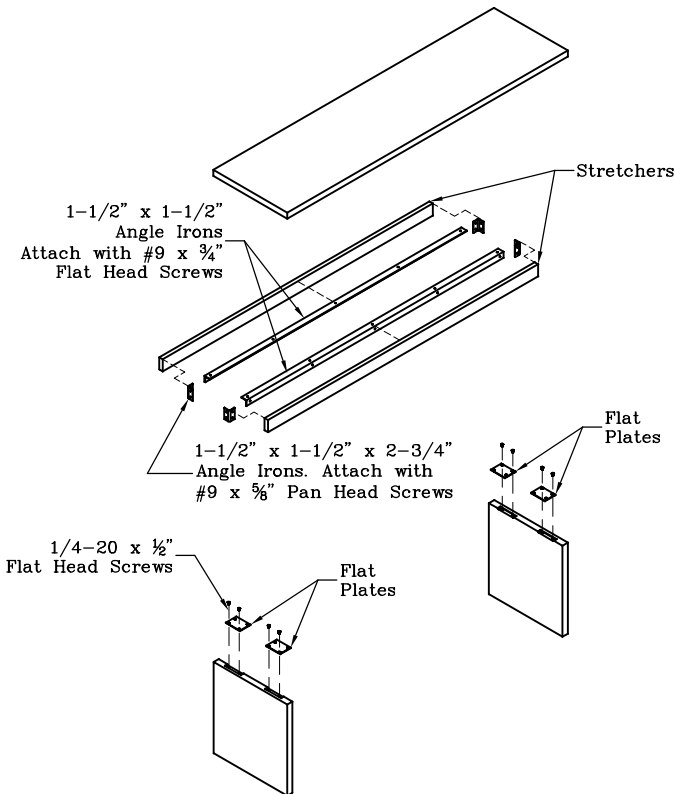
BOTTOM VIEW



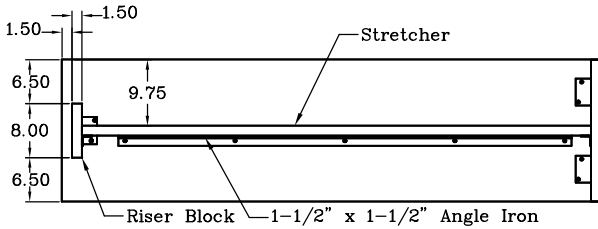
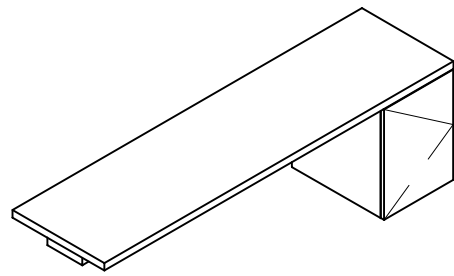
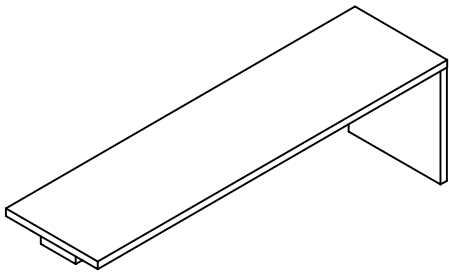
BOTTOM VIEW

1. Attach flat plates to end panels with 1/4-20 x 1/2" F.H screws.
2. Attach angle irons to stretchers before attaching to worksurface and end panels.
3. Screw 1-1/2" x 1-1/2" x 2-3/4" angle irons to end panels.
4. Attach worksurface to end panels and stretchers.

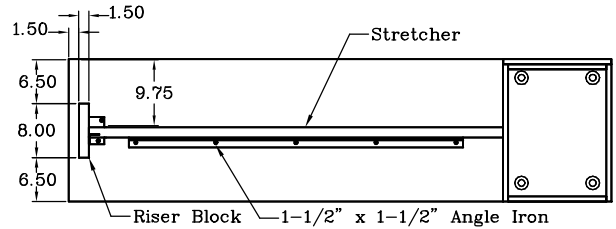
1. Attach flat plates to end panel with 1/4-20 x 1/2" F.H screws.
2. Attach angle irons to stretcher with #9 x 3/4" F.H screws before attaching it to worksurface, end panel, and pedestal.
3. Screw 1-1/2" x 1-1/2" x 2-3/4" angle irons to end panel and pedestal.
4. Attach worksurface to end panel, stretcher, and pedestal.



BRIDGES



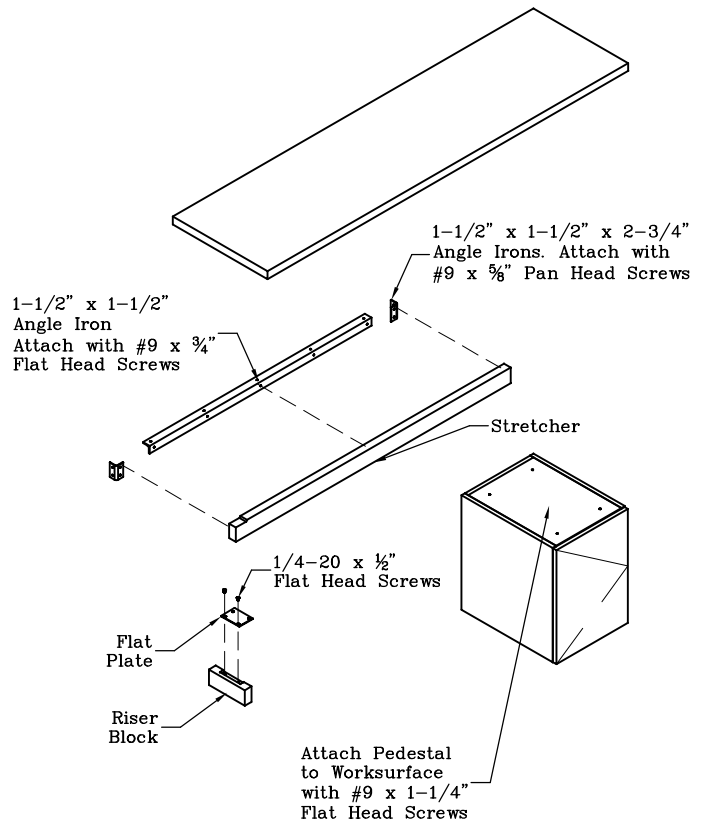
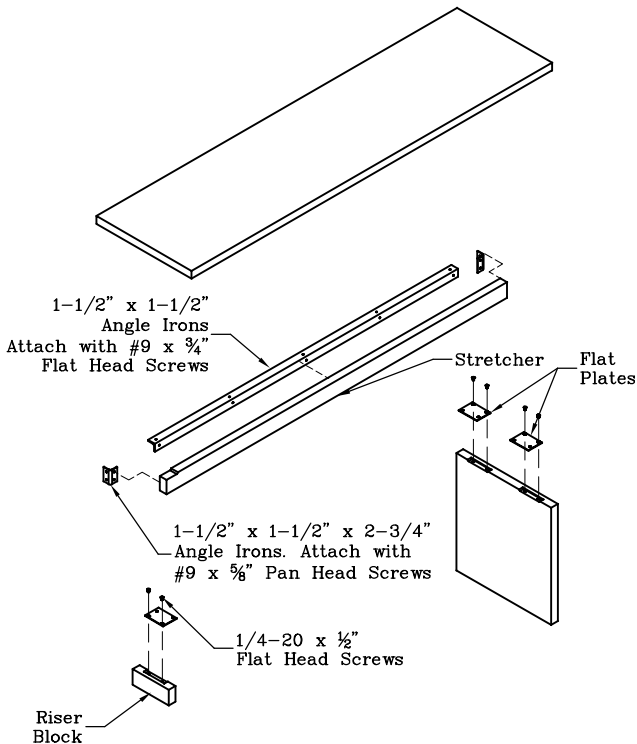
BOTTOM VIEW



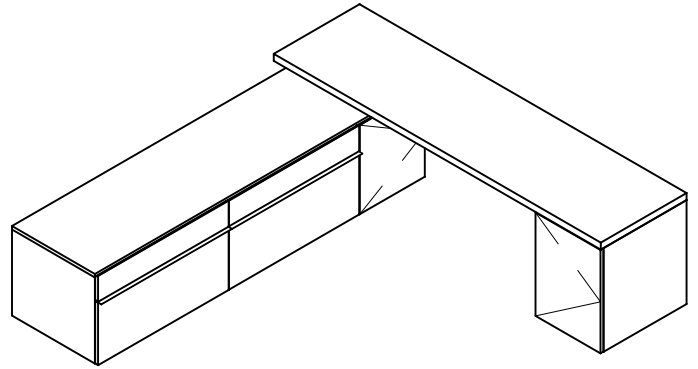
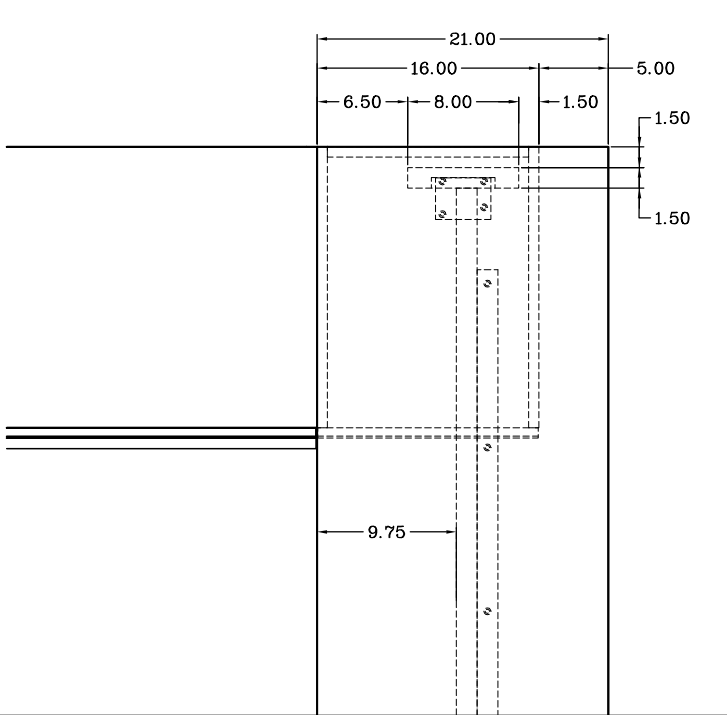
BOTTOM VIEW

1. Attach flat plates to end panel and riser block with 1/4-20 x 1/2" F.H screws.
2. Attach angle irons to stretcher before attaching to worksurface, end panel and riser block.
3. Screw 1-1/2" x 1-1/2" x 2-3/4" angle irons to end panel and riser block.
4. Attach worksurface to end panel, stretcher, and riser block.

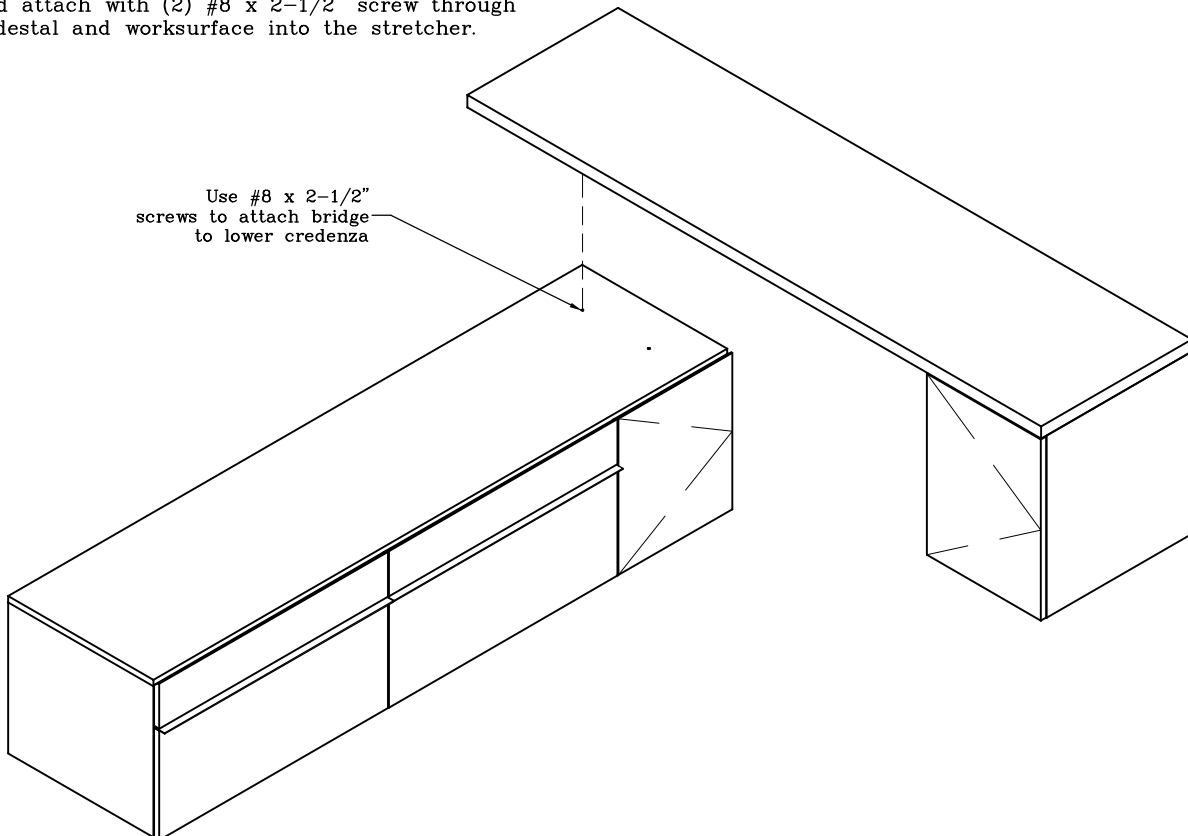
1. Attach flat plate to riser block with 1/4-20 x 1/2" F.H. screws.
2. Attach angle iron to stretcher with #9 x 3/4" F.H screws before attaching it to worksurface, riser block, and pedestal.
3. Screw 1-1/2" x 1-1/2" x 2-3/4" angle iron to riser block and pedestal.
4. Attach worksurface to riser block, stretcher, and pedestal.



BRIDGE CONNECTION TO CREDENZA PEDESTALS

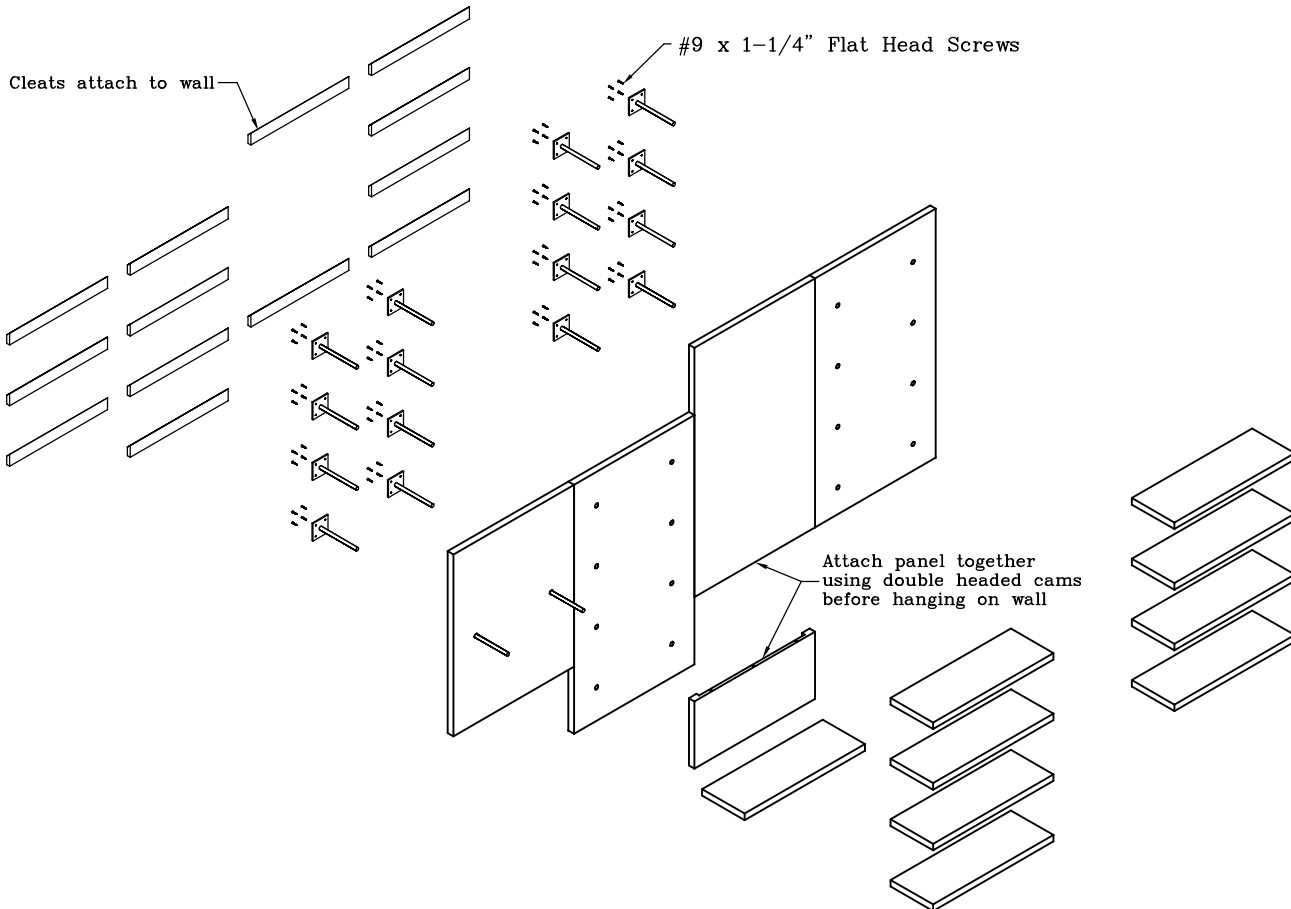
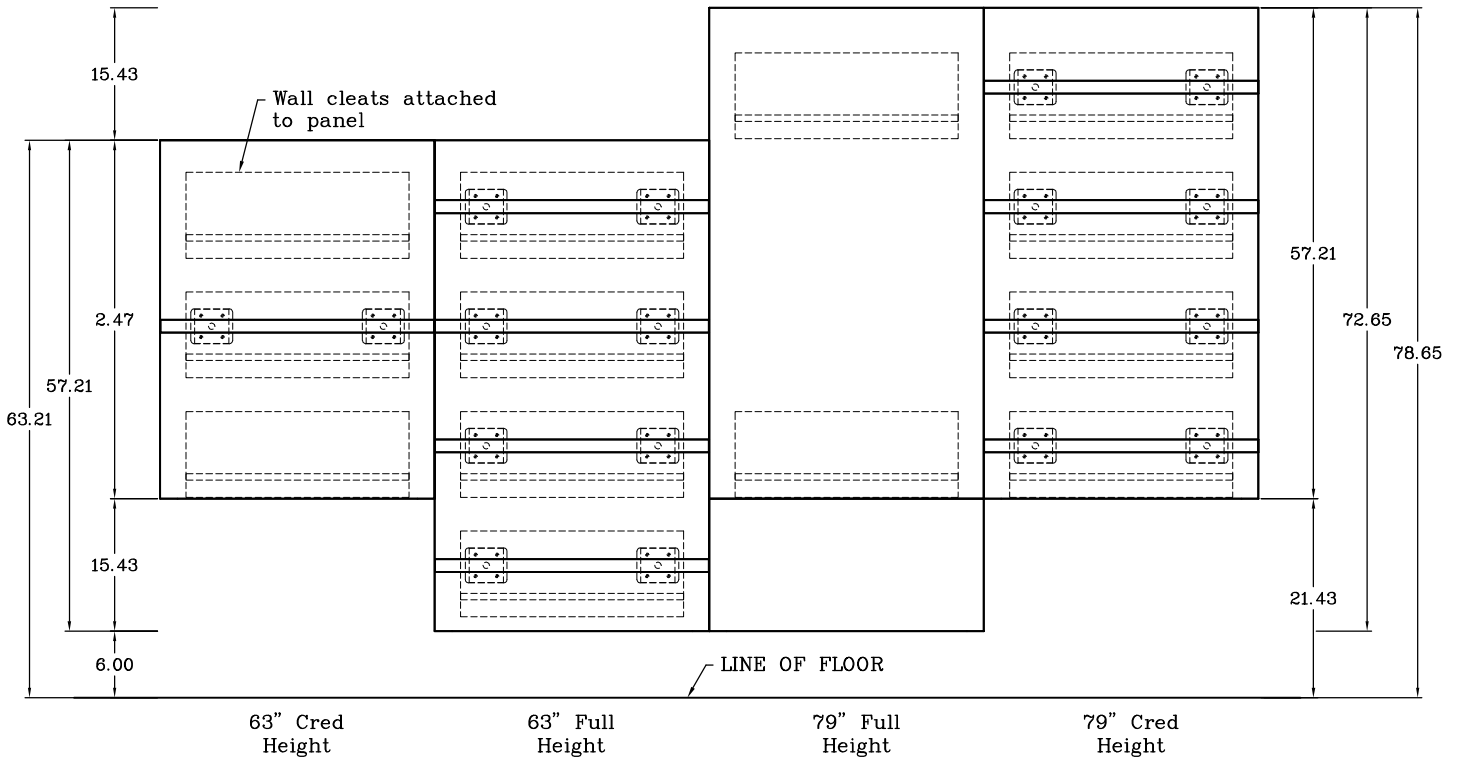


1. Lower credenza to have holes pre-drilled into worksurface for attaching Bridge to credenza.
2. If no holes been drilled though pedestal top, use holes in worksurface and finish drill holes though with a 5mm drill bit.
3. Place bridge on credenza pedestals as shown above and attach with (2) #8 x 2-1/2" screw through pedestal and worksurface into the stretcher.

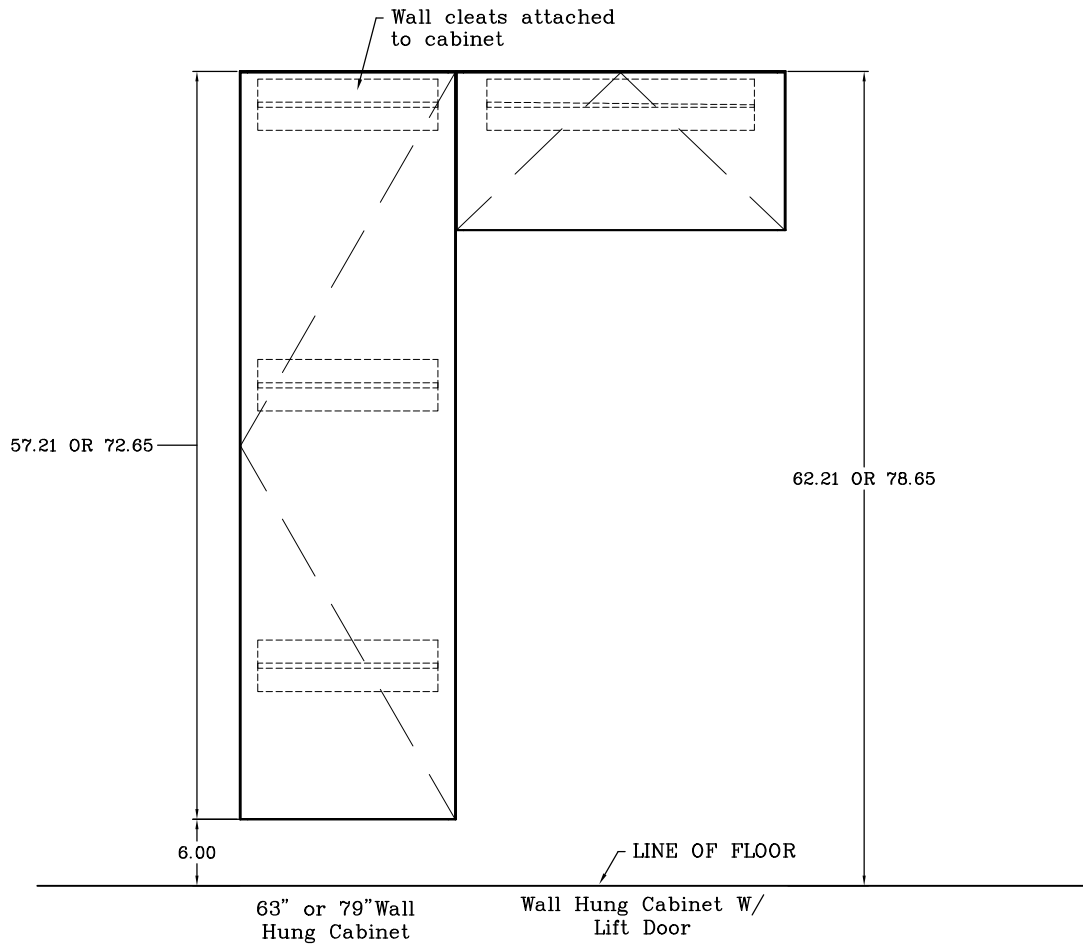


WALL PANELS

1. Wall Panels are mounted 6" or 21.43" above the floor.
2. Attach wall cleats to wall. (Hardware not provided)
3. Insert shelf post thru wall cleat and wall panel.
4. Use 1-1/4" flat head screws to attach shelf posts to wall cleats.
5. Attach panels together with double headed cams if needed.
6. Hang wall panels on wall cleats. Make sure they are fully seated.
7. Align wall panel shelf holes to shelf posts and slide on.



WALL HUNG CABINETS



1. Wall Panels are mounted 6" above the floor or 62.21" or 78.65" to the top. (Check Designers print to verify)
2. Attach wall cleats to wall or wall panel. (Hardware not provided).
3. Hang wall cabinets on wall cleats. Make sure they are fully seated.

