

INSTALLATION GUIDE  
Oblique Tables

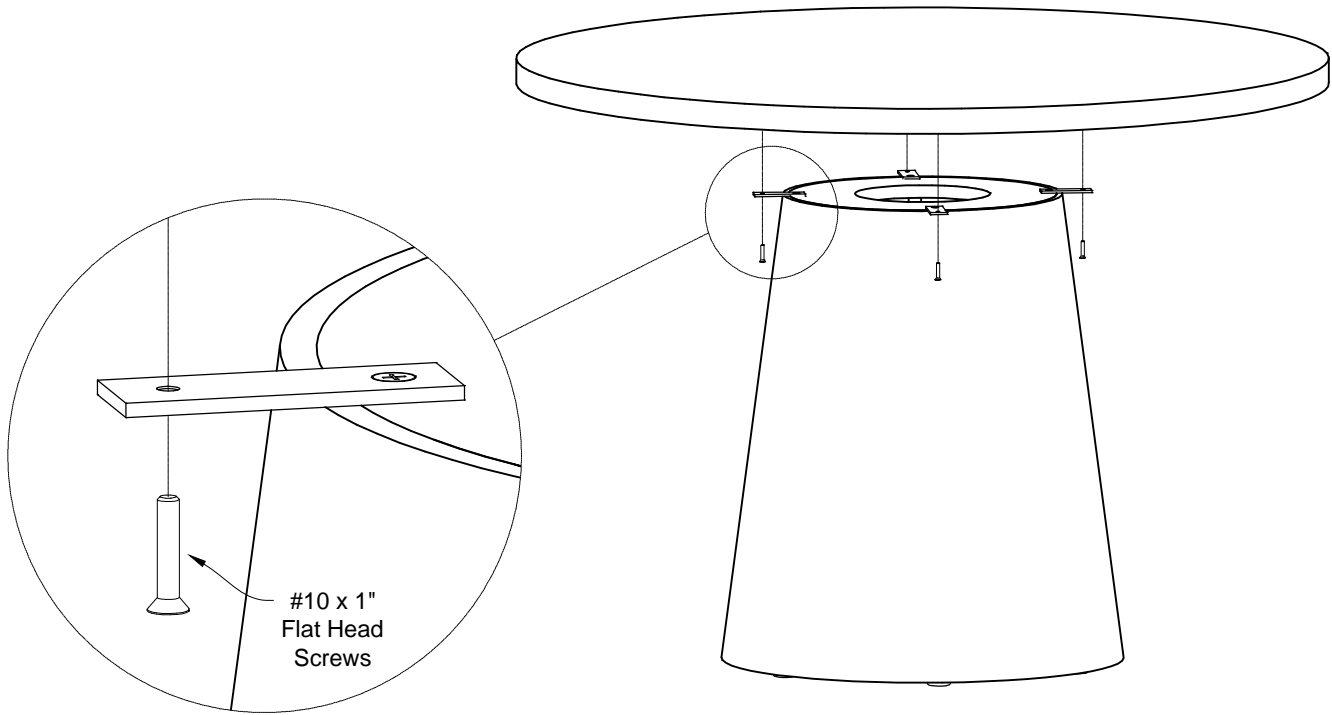
June 10, 2019

TUOHY



## ATTACH TOP TO BASE

\*\* Attach top to base screwing up through mounting plates and into the underside of the top using #10 x 1" Flat Head Screws.



## SET IN PLACE AND LEVEL

