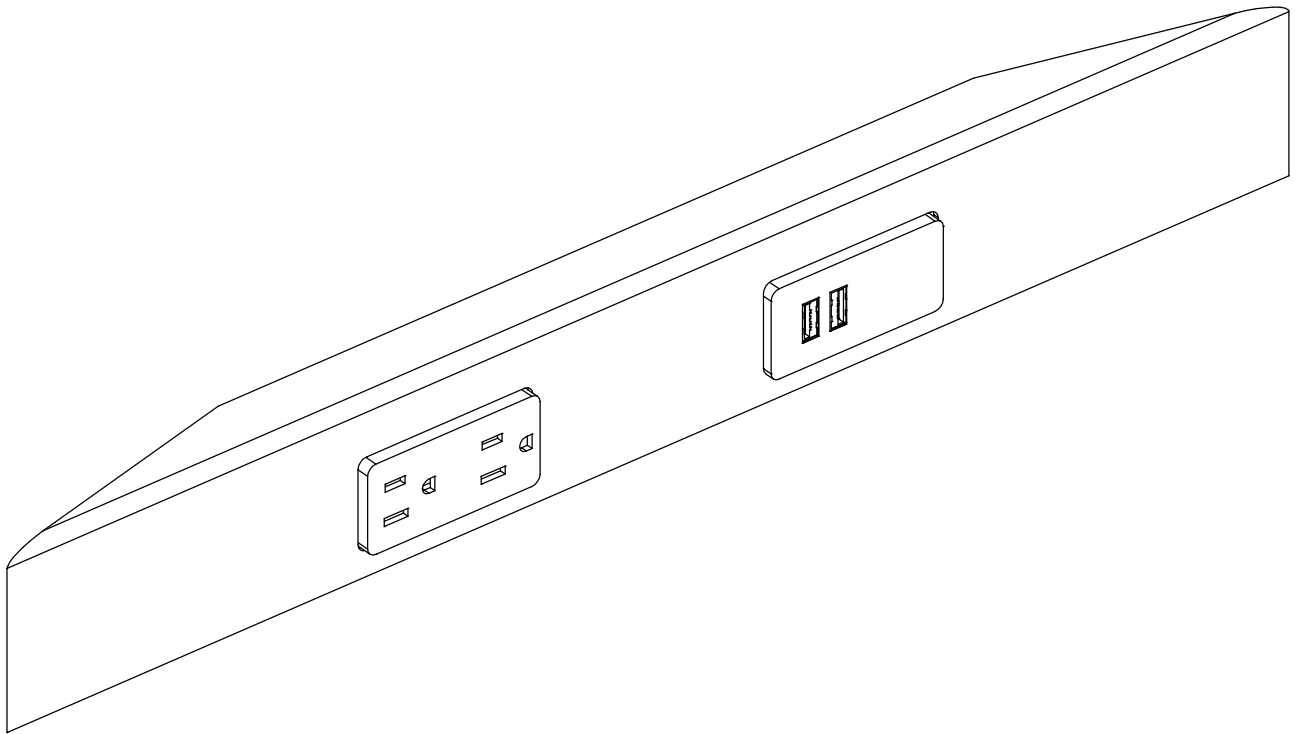


TUOHY

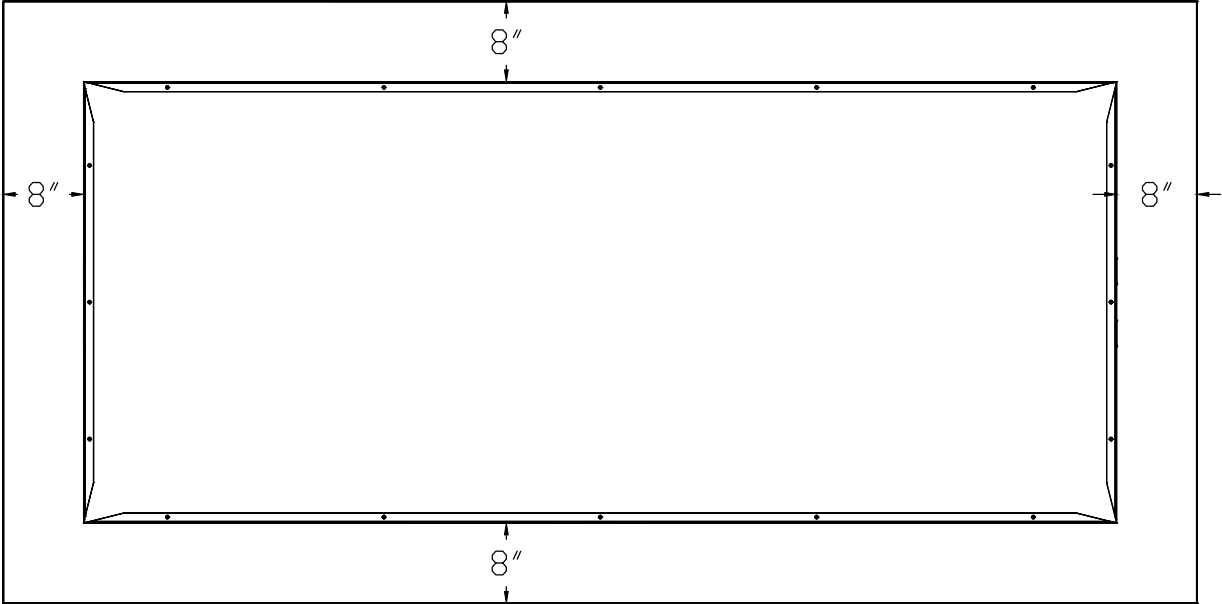
# POWER APRON

## Installation Instructions

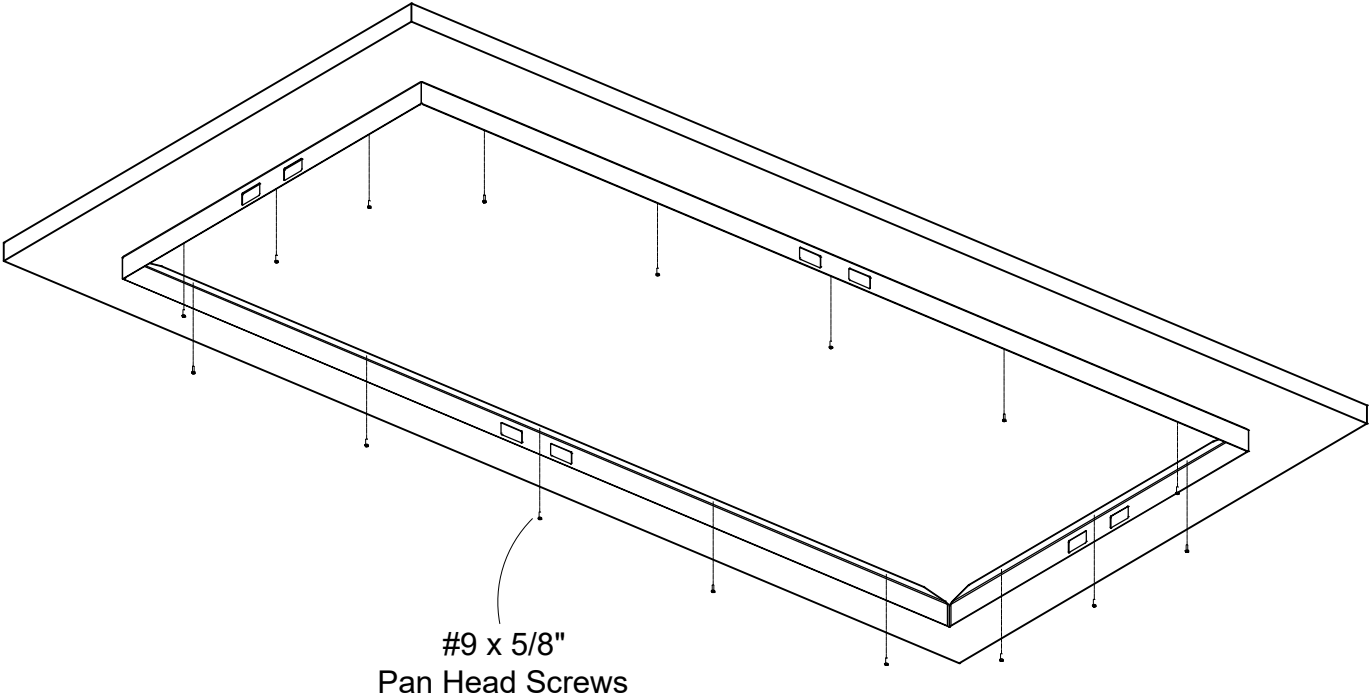


# Power Apron Attachment

\* Standard offset of power apron is 8" from edge of table.



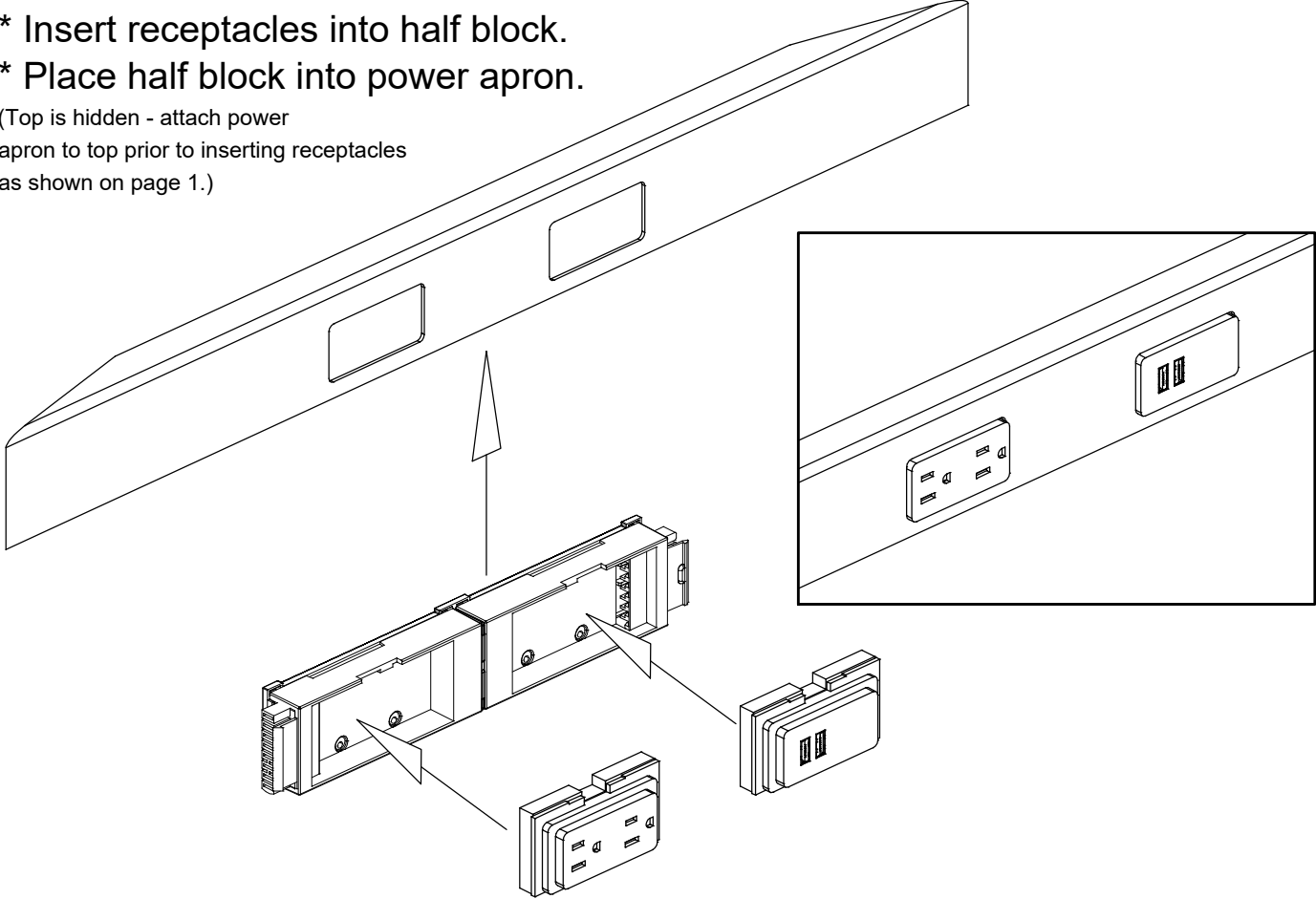
\* Screw power apron to top using #9 x 5/8" pan head screws.



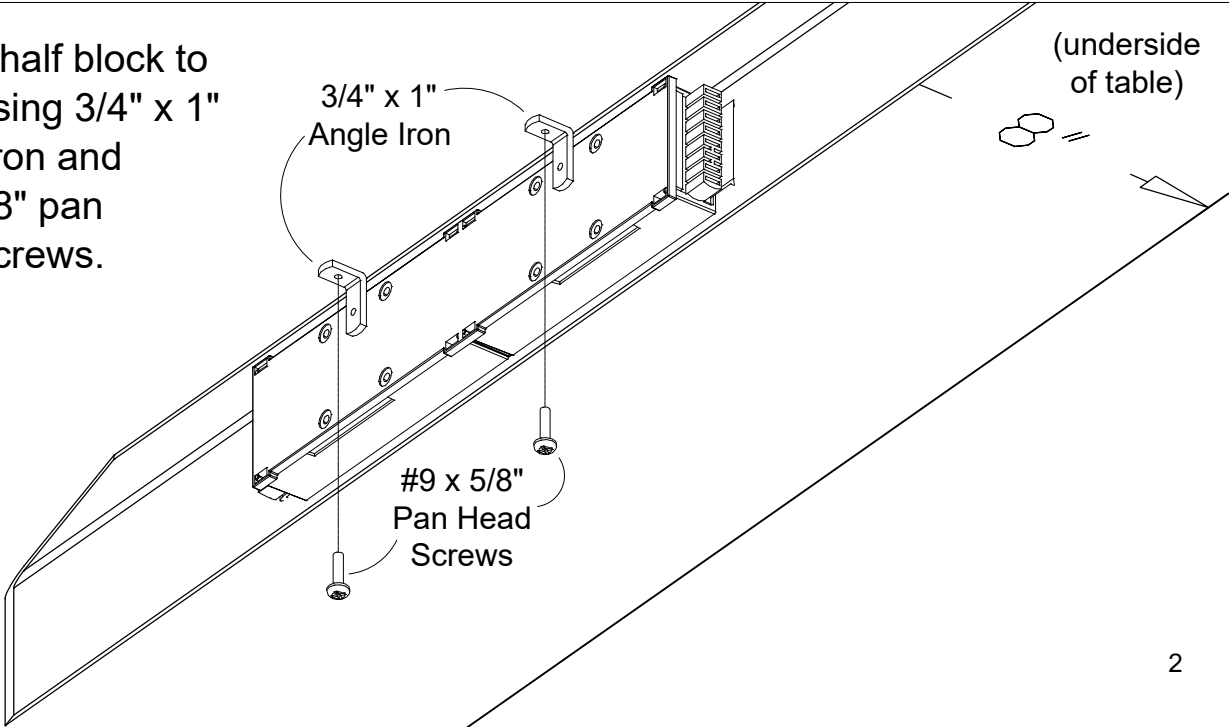
# Power Block Connection

- \* Insert receptacles into half block.
- \* Place half block into power apron.

(Top is hidden - attach power apron to top prior to inserting receptacles as shown on page 1.)



- \* Attach half block to table using 3/4" x 1" angle iron and #9 x 5/8" pan head screws.



# Electrical / Wire Management

(See Included Wiring Diagram for Wiring Specific to Purchased Table.)

