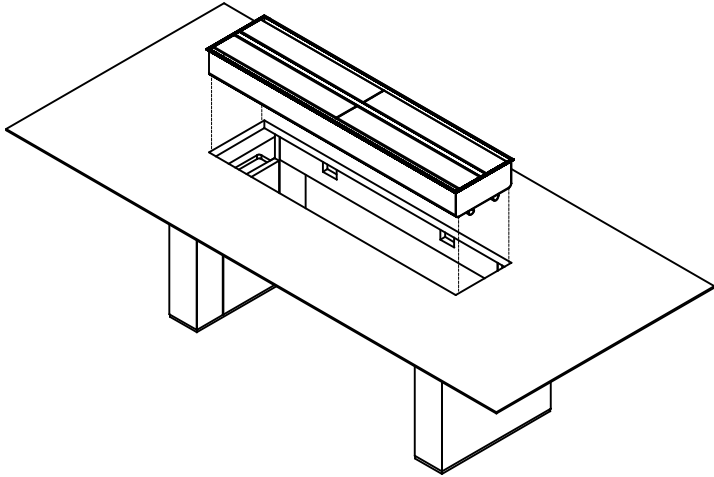


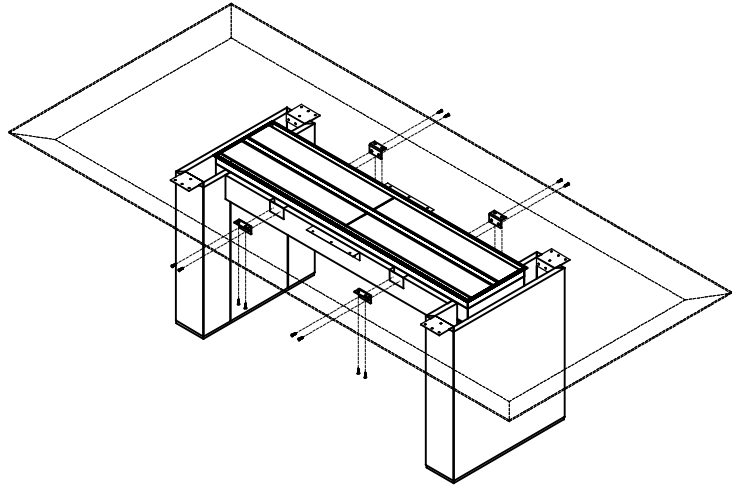
# TROUGH ATTACHMENT

## TROUGH ATTACHMENT

1. Using a minimum of (2) people carefully place the trough into the cutout in the table top

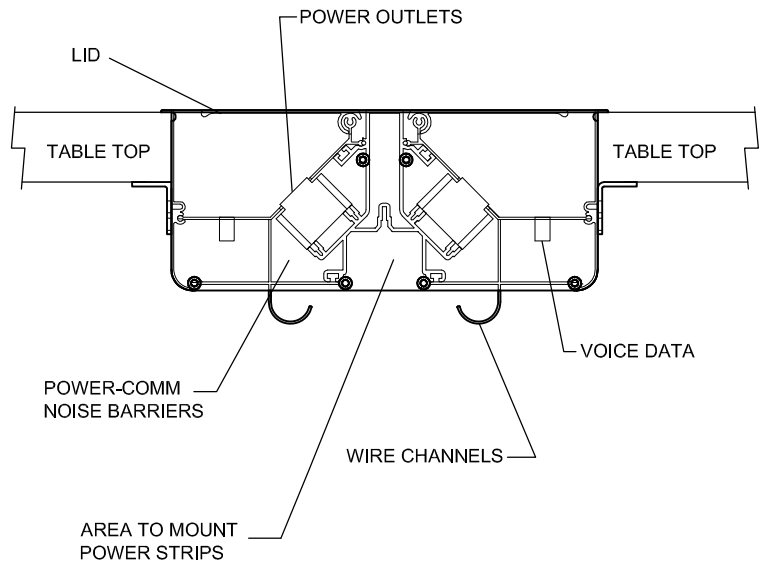
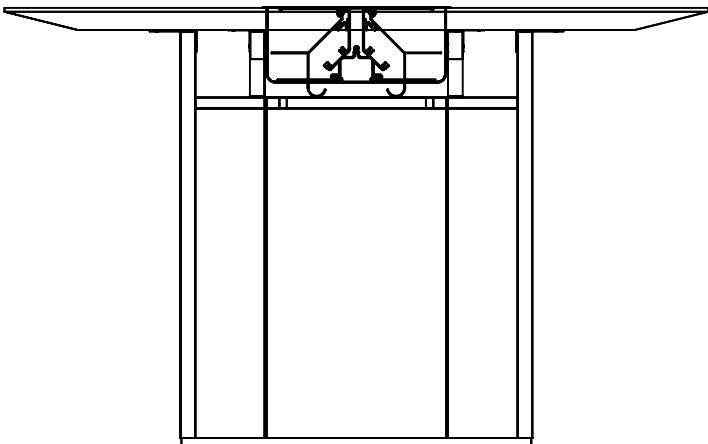


2. Once the trough is placed in the cutout, take the provided angle mounting brackets (4) and attach to the side of the trough and underside of the work surface. First attach the mounting brackets to the bottom of the work surface, then screw the bracket into the slot in the side of the trough.



## TROUGH ATTACHMENT

1. Depending on the size of the trough, you should have received (1) CabinetMate power outlet strip for every door on the trough. These mount to the underside of the trough. (Evaluate your power requirements and determine where you want to run the main power.) Position the outlet strips accordingly.
2. Plug the individual triplex outlets into the CabinetMate power strips.
3. There are bottom covers to the power data trough that can be removed for access to data wiring if needed. These are located under the trough and are held in place with screws.

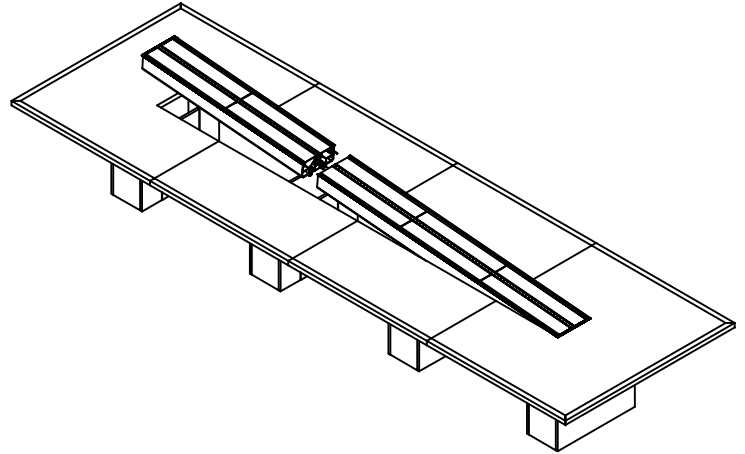
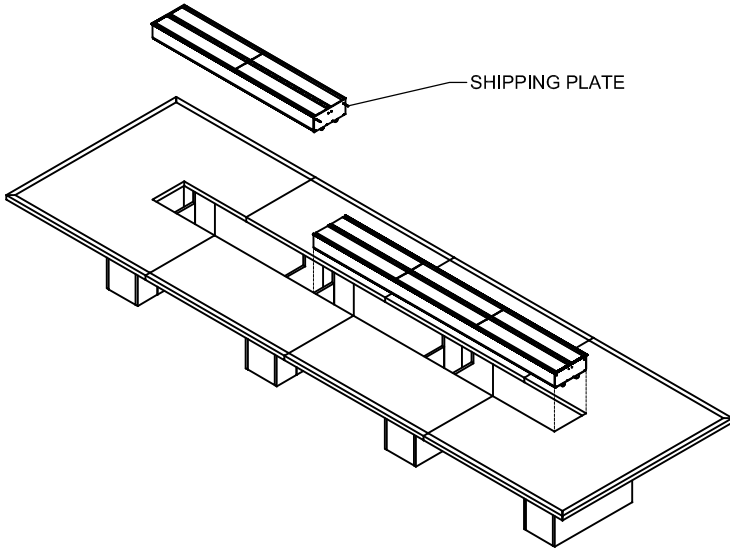


# TROUGH ATTACHMENT

## 2 PIECE TROUGH ATTACHMENT

1. Remove the shipping plates from the inside end of each trough section.
2. Using a minimum of 2 people carefully place the large section of trough into the cutout in the table top.

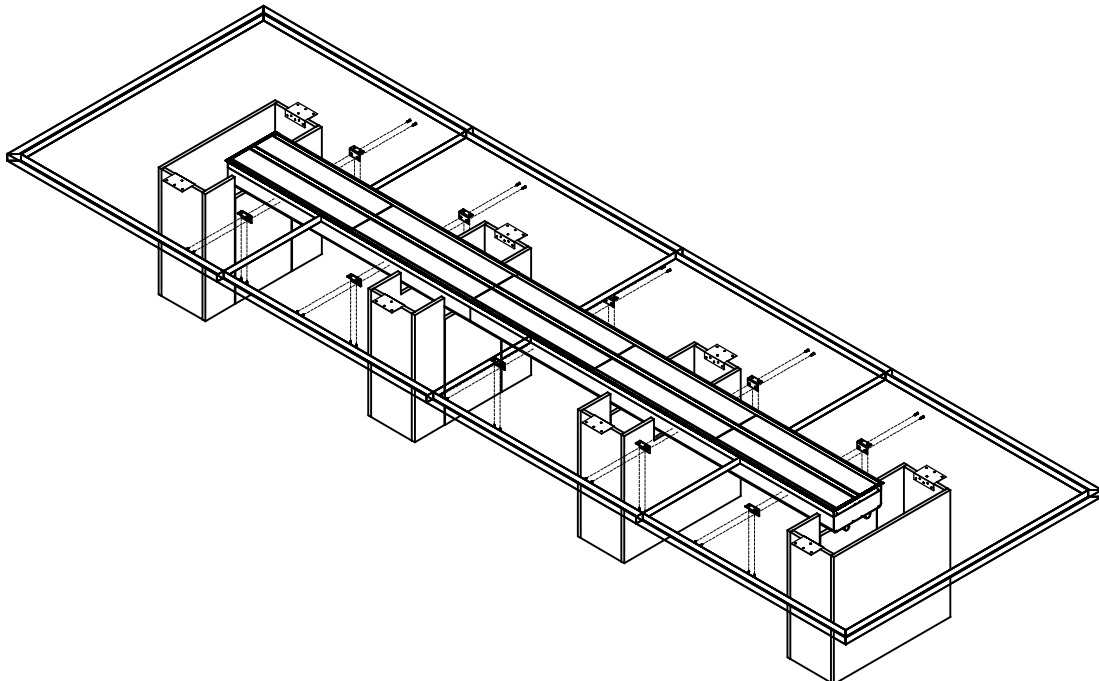
3. With the large trough section set in the cutout, carefully hold up the inside section at an angle to line up the dowels (epoxied in place) between the 2 trough sections.
4. Once the 2 trough sections are put together, set the trough into place on the table top.



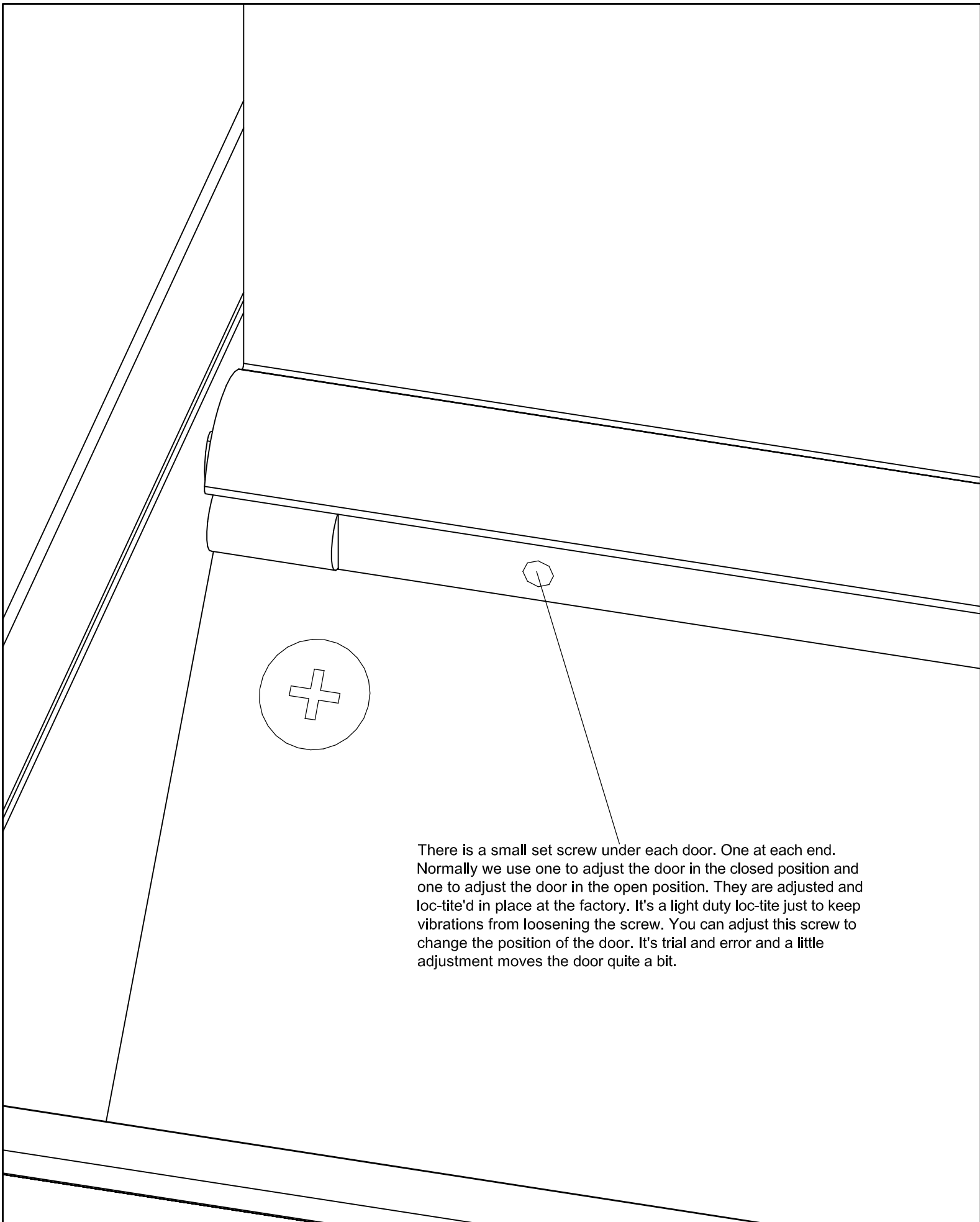
---

## 2 PIECE TROUGH ATTACHMENT

5. Once the trough is set into the opening, Take the provided angle mounting brackets (10) and attach to the side of the trough and underside of the work surface. First attach the mounting brackets to the bottom of the work surfaces, then screw the brackets into the slot on the side of the trough.



## SET SCREW ADJUSTMENT



There is a small set screw under each door. One at each end. Normally we use one to adjust the door in the closed position and one to adjust the door in the open position. They are adjusted and loc-tite'd in place at the factory. It's a light duty loc-tite just to keep vibrations from loosening the screw. You can adjust this screw to change the position of the door. It's trial and error and a little adjustment moves the door quite a bit.