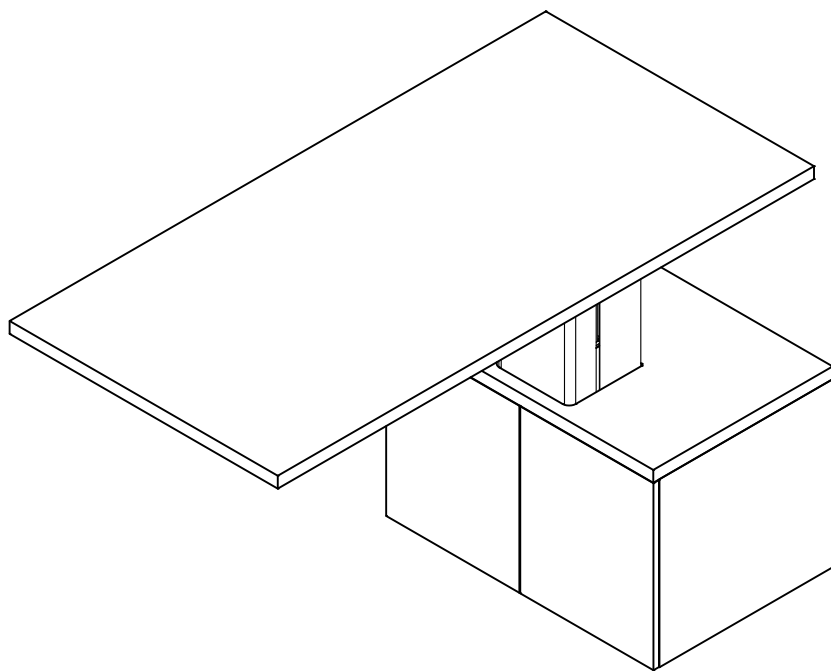
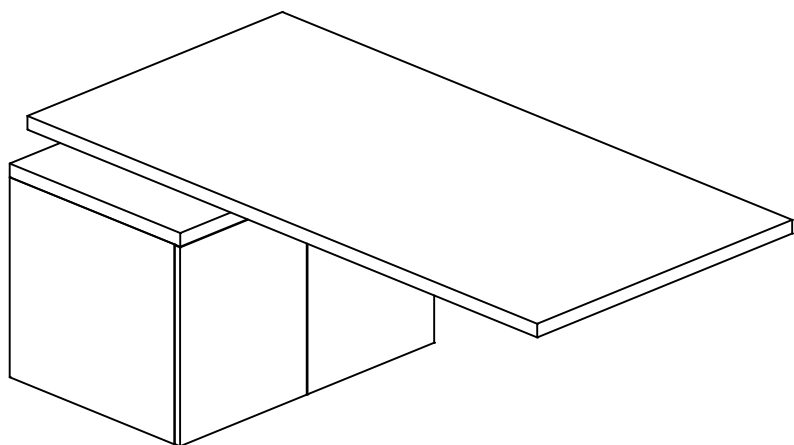


# ADJUSTABLE HEIGHT CANTILEVER RUNOFF

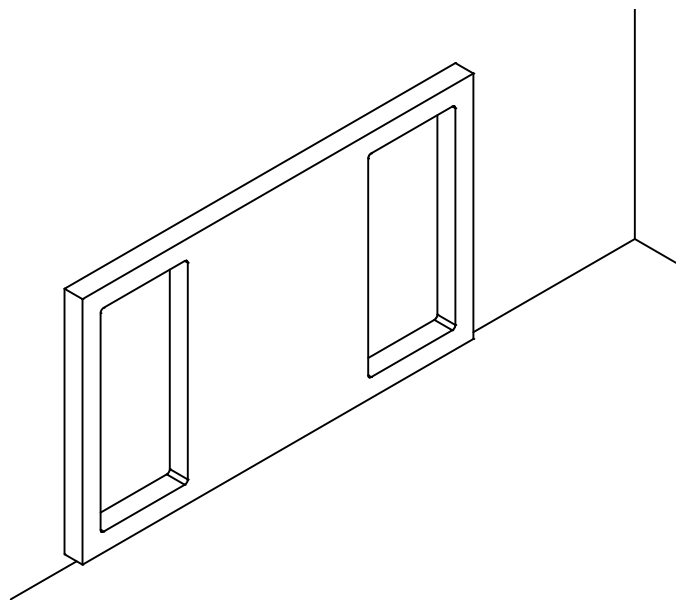
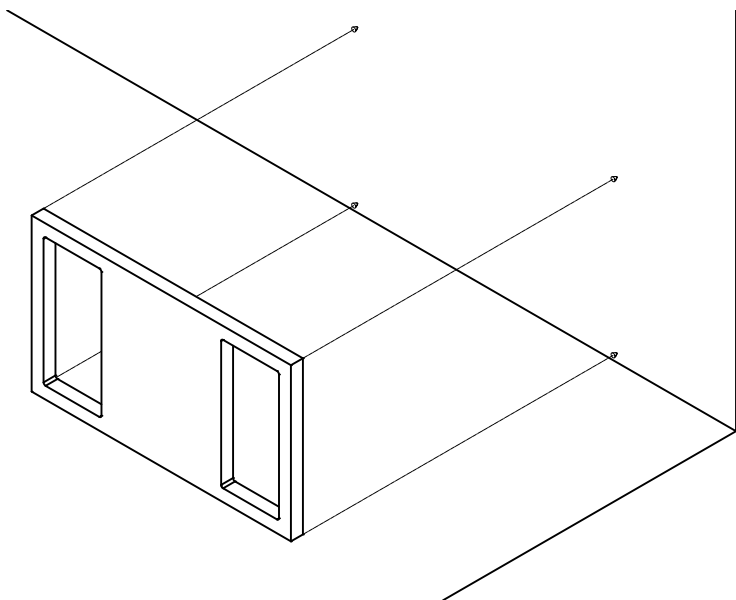
## ASSEMBLY INSTRUCTIONS



TUOHY

## Filler Panel / Wall Mount Panel

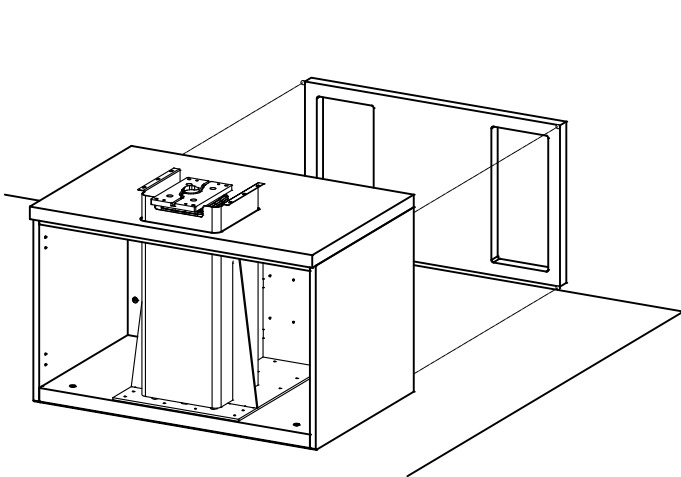
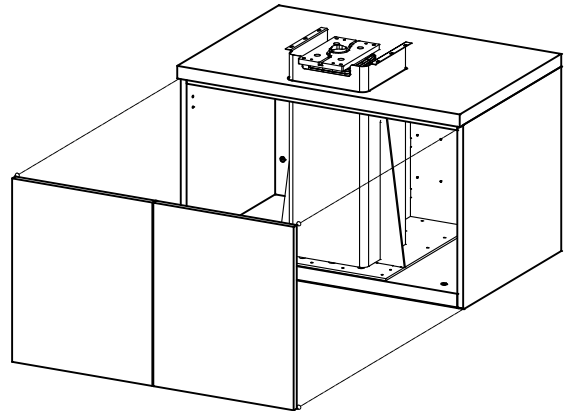
1. Attach the filler panel to the wall.  
(Installer responsible for attachment hardware)
2. Placement of this panel must be accurate for runoff cabinet attachment to the wall.



# Adjustable Height Runoff Cabinet Wall Attachment

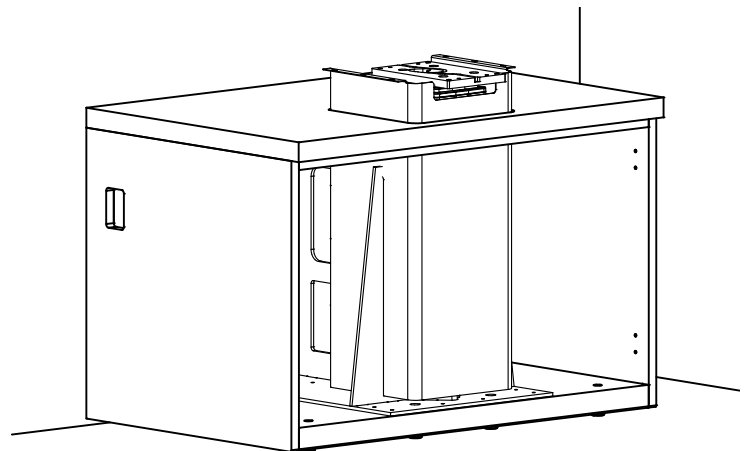
1. The runoff will arrive with the double cabinet pedestal completely assembled. The lift shroud, and lift column will be in the cabinet and ready for electrical connection. (In the event that the lift shroud is not pre-installed, it should be slid in to place at this time.)
2. It is recommended that the cabinet doors be removed for ease of wall attachment.

**NOTE:** Top mounting plate may or may not be installed depending on shroud configuration. If not installed it is provided in Boxed Hardware.



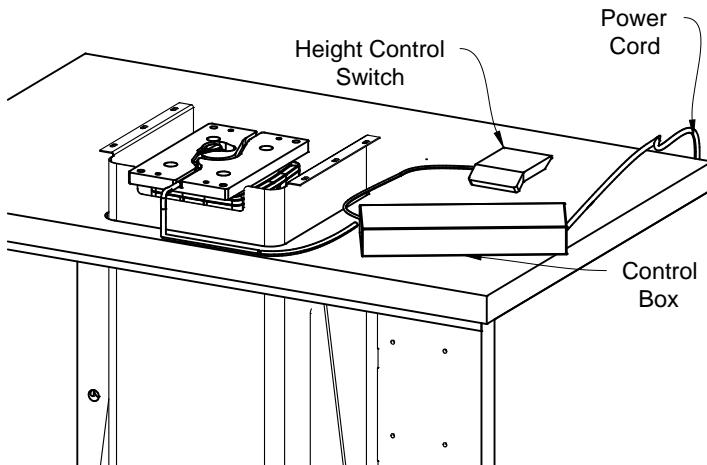
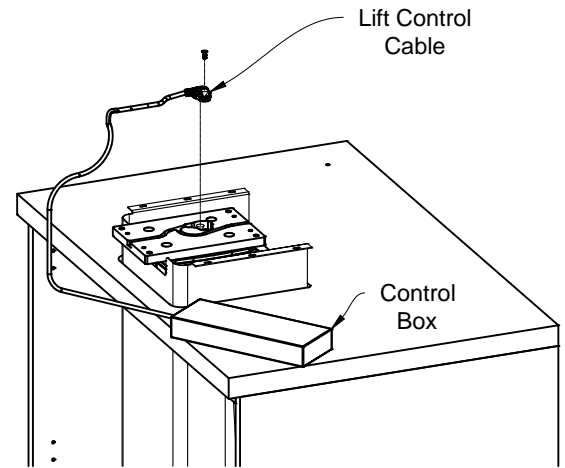
1. Slide the pedestal to the wall, covering the already installed wall mounting board.

1. Attach the pedestal to the mounting board using the provided #10 x 2  $\frac{3}{4}$ " FH screws.



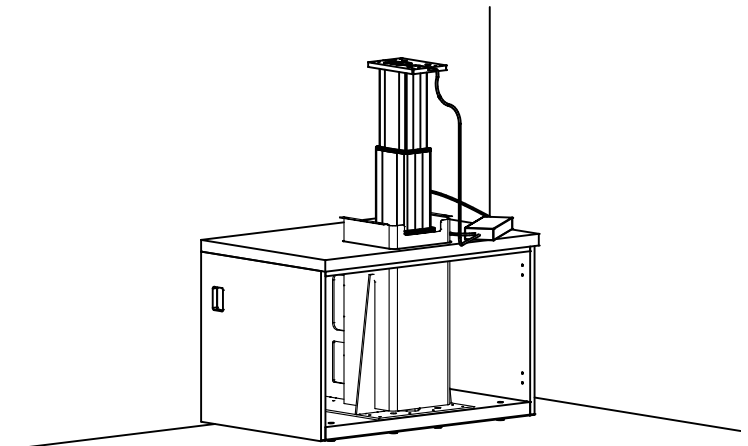
# Adjustable Height Column Power And Control Module Connection

1. Plug the lift control cable into the top of the adjustable height column, making sure that the provided locking screw is in place.
2. Once this is secured, it is recommended that a piece of masking tape is used to insure that the cable stays in the plate slot. If unsecured, it is possible to crush the cable and render it unusable.
3. Plug the other end into port 1 of the control box.



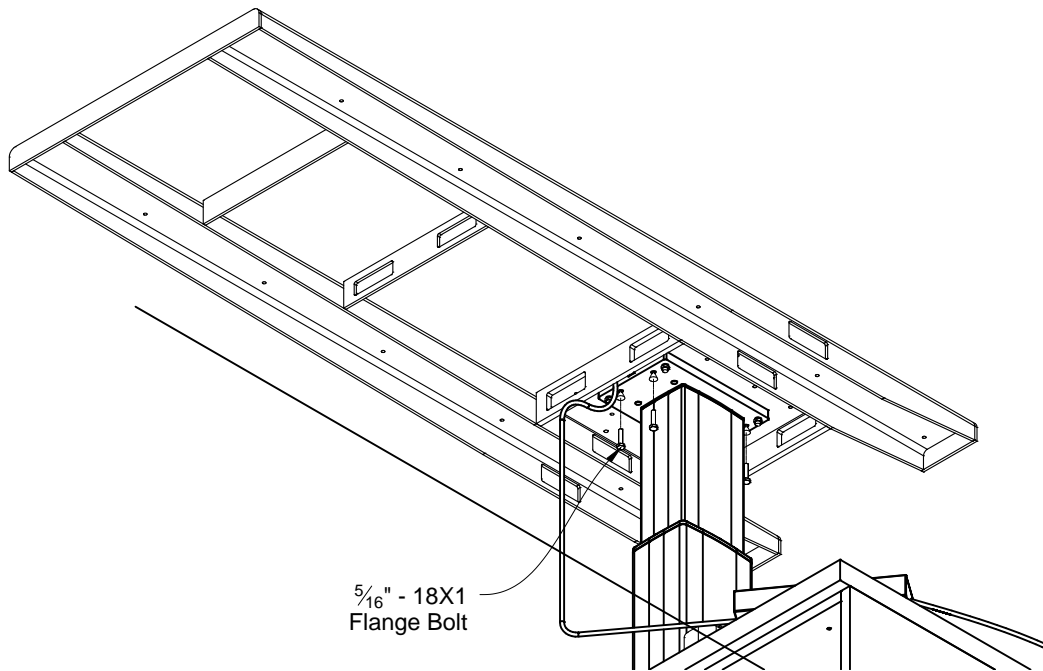
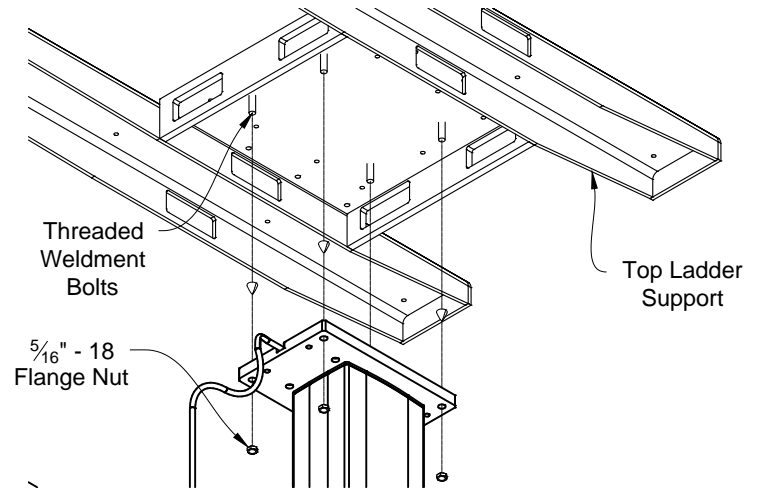
1. Next plug the Height Control Switch into the control box port marked A1.
2. Then insert the Power Cord into the port marked AC on the control box.
3. Once all cables are connected, plug the power cord into the offices power source.

1. With the cables connected and the unit electrified, move the lift column to its raised height position for ease of top installation.



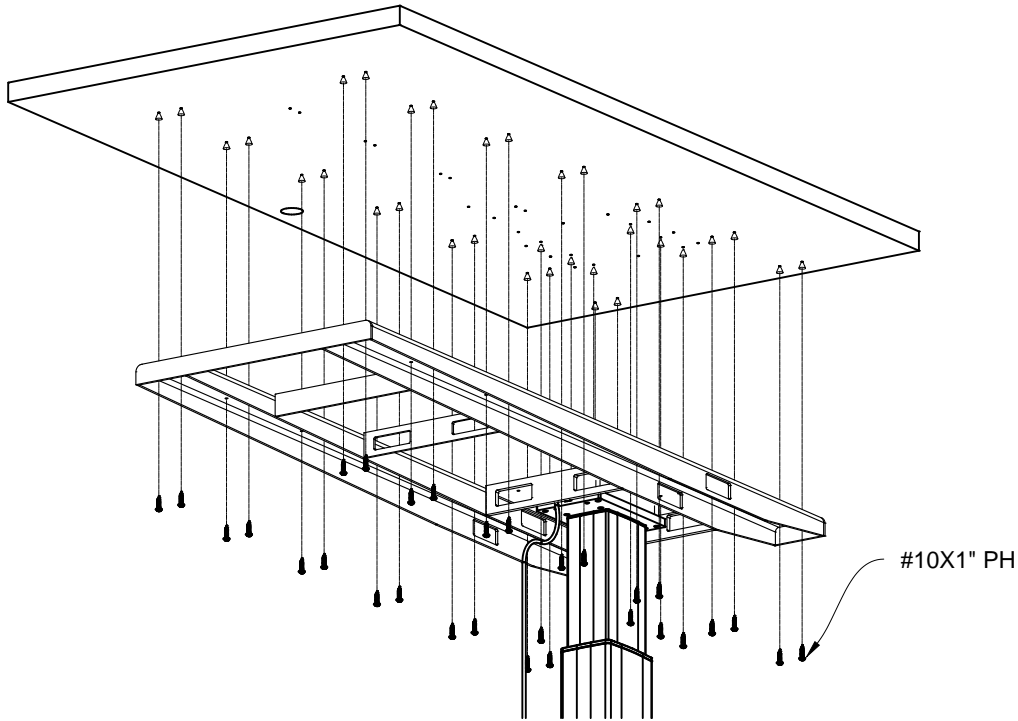
# Top Ladder Support Attachment And Leveling

1. Attach the Top Ladder Support to the Lift Column using the provided  $\frac{5}{16}$ " - 18 Flange Nuts. It is important to leave the nuts slightly loose for leveling of the Ladder Support.



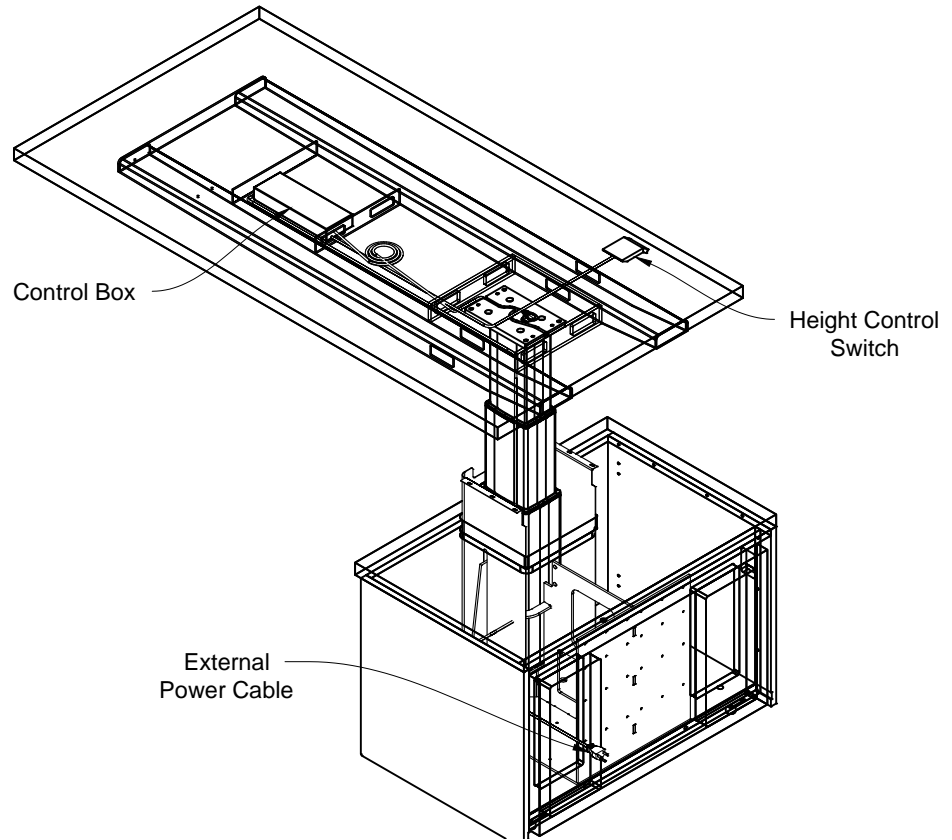
1. Next use the  $\frac{5}{16}$ " - 18X1 Flange Bolts to level the Support Ladder. This will in turn level the runoff top as well.
2. Once leveling is complete tighten the  $\frac{5}{16}$ " - 18 Flange Nuts.

# Runoff Top and Lift Column Shroud Attachment



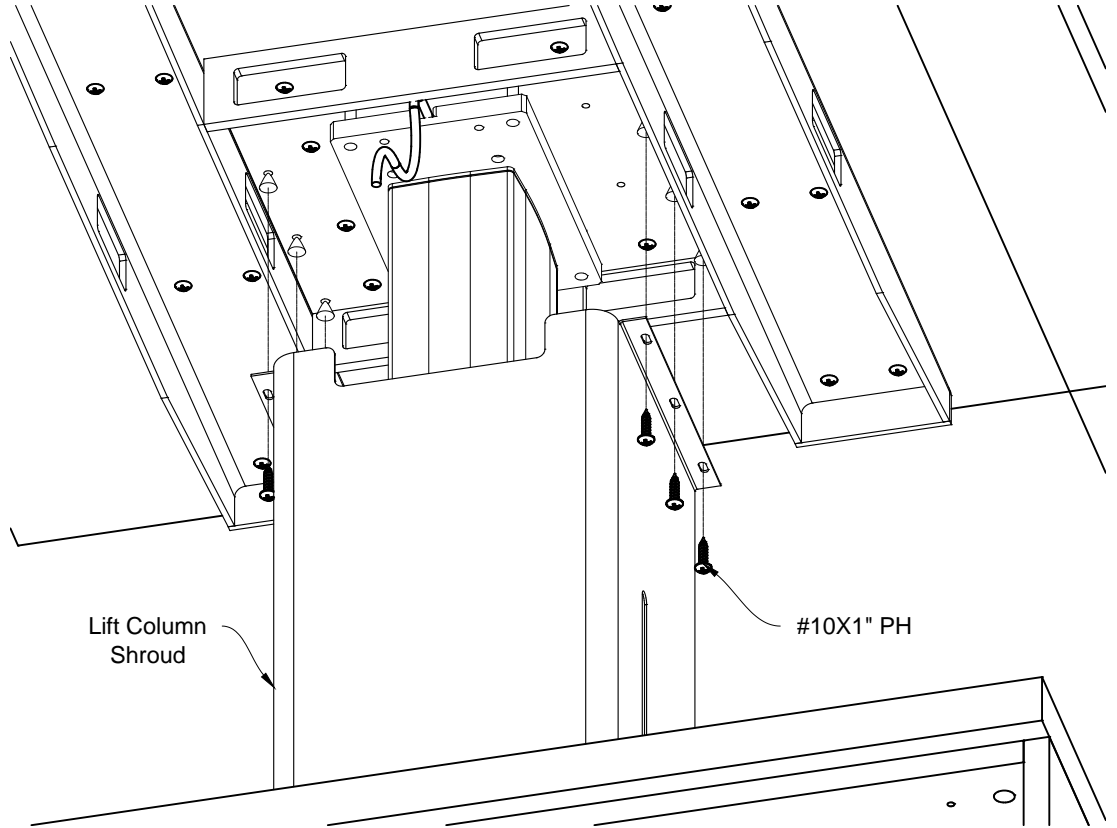
1. Attach the Runoff Top with the supplied #10x1" PH screws. Holes are pre-drilled in the top.

1. With the Runoff Top installed, you can now attach the Control Box, and Height Control Switch to the bottom side of the top, and route the electrical cables.



# Completing the Runoff

1. With the Runoff Top and electricals installed, you can now raise the Lift Column Shroud into place, and attach with the supplied #10x1" PH screws.



1. Lastly replace the cabinet doors, and the runoff is complete.

