

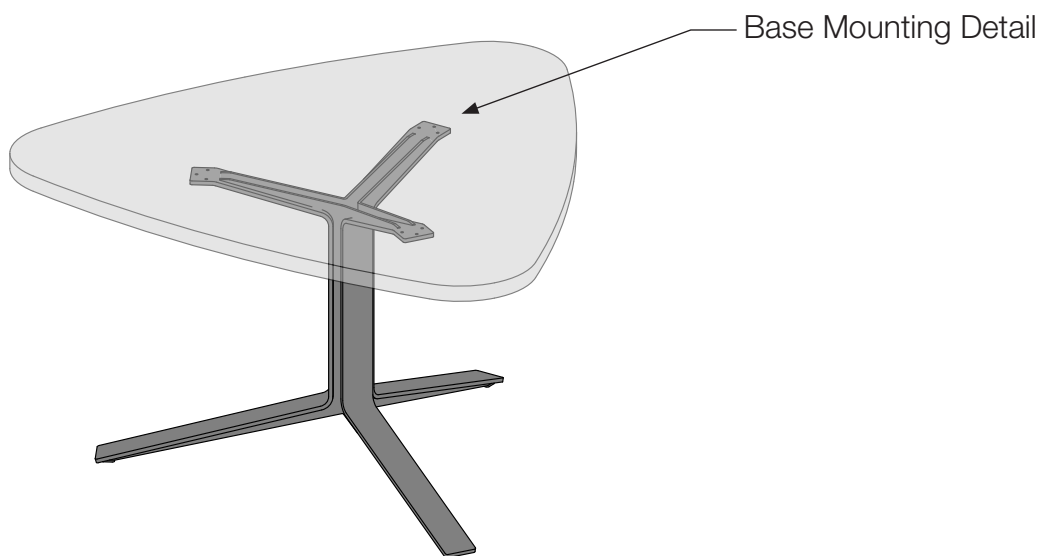
TUOHY


Ribbon Tables



Conference: **Ribbon Table**

- Square Edge Tops CC3
- Bevel Edge Tops CC4
- Cantilevered Edge Tops CC5





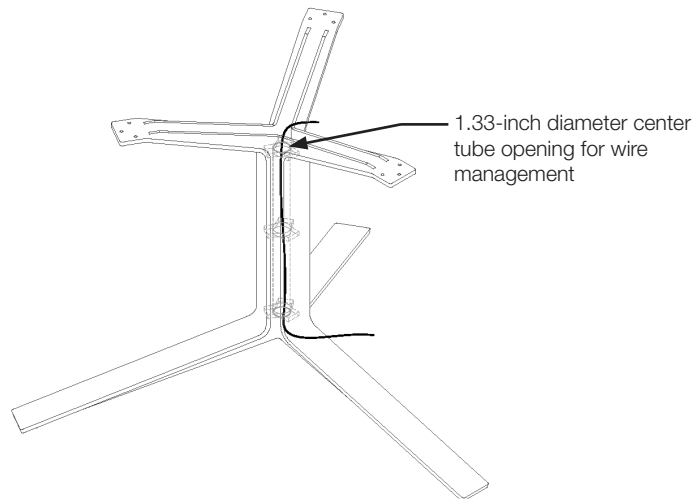
Square Edge Top 29.5h

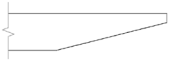
	Prefix & Width Codes	Top Material Code			
		Wood1	Wood2	HPL	Fenix
		...W1	...W2	...H	...L
Pebble Triangle 48	RBTS48...	7636	7736	7939	9773
• Pebble Triangle 54	RBTS54...	7873	7936	8190	10508
Pebble Triangle 60	RBTS60...	8080	8157	8471	11327
Round 48	RBRS48...	7414	7464	7666	9500
• Round 54	RBRS54...	7600	7663	7917	10234
Round 60	RBRS60...	7808	7886	8199	11053



> To Order:
 For product numbers, join the Prefix/Width Code and Material/Edge Code; read across and down for price.
 Wood1: All TUOHY Wood1 offerings
 Wood2: All TUOHY Wood2 offerings
 HPL: Formica® 949 White
 Fenix Color: 30 Bianco Alaska, 718 Grigio Londra, or 720 Nero Ingo
 Center tube in table base has 1.33-inch diameter for wire management.
 Recommended power units include Burele w/ surface mount grommet, Node, MhoB, and Dean Z-Mount.

- ! Notes:
 Specify base from solid powdercoat colors.
- | | |
|---------------------------|-----------------------------|
| (MRB) Resin Black | (MRSB) Resin Satin Aluminum |
| (MRBM) Resin Matte Black | (MRTG) Resin Thunder Gray |
| (MRBZ) Resin Bronze | (MRW) Resin White |
| (MRDBZ) Resin Dark Bronze | |





Bevel Edge Top 29.5h



	Prefix & Width Codes	Top Material Code			
		Wood1	Wood2	HPL	Fenix
		...W1	...W2	...H	...L
Pebble Triangle 48	RBTB48...	8699	8760	8932	10634
• Pebble Triangle 54	RBTB54...	8938	9015	9235	11403
Pebble Triangle 60	RBTB60...	9206	9302	9574	12264
Round 48	RBRB48...	8493	8560	8796	10631
• Round 54	RBRB54...	8740	8824	9115	11433
Round 60	RBRB60...	9017	9119	9472	12327

> To Order:

For product numbers, join the Prefix/Width Code and Material/Edge Code; read across and down for price.

Wood1: All TUOHY Wood1 offerings

Wood2: All TUOHY Wood2 offerings

HPL: Formica® 949 White

Fenix Color: 30 Bianco Alaska, 718 Grigio Londra, or 720 Nero Ingo

Center tube in table base has 1.33-inch diameter for wire management.

Recommended power units include Burele w/ surface mount grommet, Node, MhoB, and Dean Z-Mount.

! Notes:

Specify base from solid powdercoat colors.

(MRB) Resin Black

(MRBM) Resin Matte Black

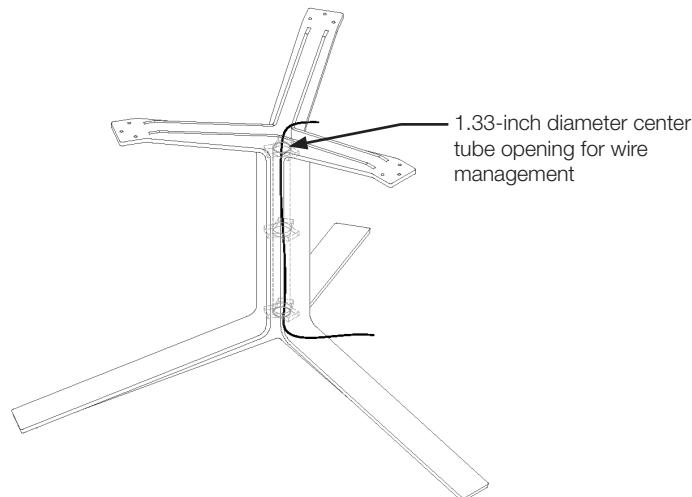
(MRBZ) Resin Bronze

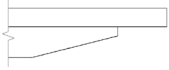
(MRDBZ) Resin Dark Bronze

(MRSA) Resin Satin Aluminum

(MRTG) Resin Thunder Gray

(MRW) Resin White





Cantilevered Edge Top



	Prefix & Width Codes	Top Material Code				
		Solid Surface	BP Glass	Matte BPGlass	Quartz	Marble
		...S	...G	...J	...Q	...M
Pebble Triangle 48	RBTC48...	9312	11418	12040	15063	17735
• Pebble Triangle 54	RBTC54...	9708	12251	13056	16914	20344
Pebble Triangle 60	RBTC60...	10116	13065	14045	18984	22966
Round 48	RBRC48...	8849	10482	11033	15302	15595
• Round 54	RBRC54...	9193	11181	11880	17294	17730
Round 60	RBRC60...	9576	11936	12798	19509	20116

> To Order:

For product numbers, join the Prefix/Width Code and Material/Edge Code; read across and down for price.

Acrylic Solid Surface: Avonite® 8016 White, Matte

BPGlass (Back-Painted): specify from (S.BLK Black) or (S.BWT) White

Matte BPGlass (Back-Painted): Writable; specify (GMB) Black or (GMW) White

*Quartz: Cambria® Classic and Signature (all colors); quote required for all other offerings.

Marble: Carrara

Overall Height changes with top material thickness, 29.25h +

12mm Solid Surface 0.47"

3/8" Glass 0.38"

2cm Stone 0.79"

Center tube in table base has 1.33-inch diameter for wire management.

Recommended power units include Burele w/ surface mount grommet, Node, MhoB, and Dean Z-Mount.

! Notes:

Specify base from solid powdercoat colors.

(MRB) Resin Black

(MRBM) Resin Matte Black

(MRBZ) Resin Bronze

(MRDBZ) Resin Dark Bronze

(MRSA) Resin Satin Aluminum

(MRTG) Resin Thunder Gray

(MRW) Resin White

