

TUOHY

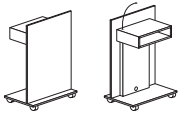
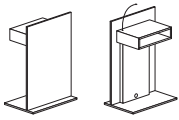
# Lecterns



Conference: **Lecterns**

|                           |     |
|---------------------------|-----|
| Presenter's Podium        | CL3 |
| Advantage Lectern         | CL3 |
| Montrose Lectern          | CL4 |
| Montrose Adaptive Lectern | CL5 |
| Battery Power Options     | CL6 |

Presenter's Podium



|                                      | 30w | 19.8d | 45h | Product No. | List \$ | Product No.    | List \$ |
|--------------------------------------|-----|-------|-----|-------------|---------|----------------|---------|
|                                      |     |       |     | Wood1       |         | Wood1 Two-Tone |         |
| • Podium                             |     |       |     | XP30        | 8264    | XP301          | 8264    |
| • Podium with Microphone             |     |       |     | XP30M       | 10990   | XP301M         | 10990   |
| • Podium on Casters                  |     |       |     | XP30C       | 9847    | XP301C         | 9847    |
| • Podium on Casters, with Microphone |     |       |     | XP30MC      | 12574   | XP301MC        | 12574   |

! Notes:

Front panel and speaker's platform are Wood1.

Wood1 Two-Tone finishes have the front panel and speaker's platform in different Wood1 finishes; specify each. (See image below for Podium with Microphone in Wood1 Two-Tone finish.)

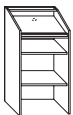
Rear vertical chase is (MSBN) Satin Brushed Nickel (~MRBS); base finish is (MBSS) Brushed Stainless Steel.

Microphone is TUOHY model S2E.Q00.000 with XLR plug and 12-inch gooseneck stem; color is black.

Microphone power wires to be provided by others.



Advantage Lectern



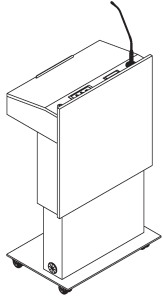
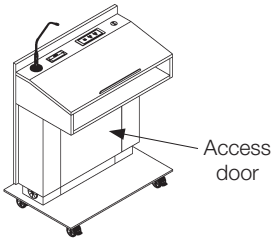
|                                       | 24w | 18d | 44.4h | Product No. | List \$ |
|---------------------------------------|-----|-----|-------|-------------|---------|
| No Top Cap/Detail                     |     |     |       | Wood1       |         |
| • Lectern                             |     |     |       | 70YPC00     | 3104    |
| Lectern with Pre-drill for Microphone |     |     |       | 70YPC05     | 4335    |

! Notes:

For Lectern with Pre-drill for Microphone, specify exact hole size and placement if customer's microphone is used. See page 17 of the Terms & Options section for TUOHY's optional microphone listing.

Product No. List \$

Montrose Lectern



|                                     |     |       |          |       |
|-------------------------------------|-----|-------|----------|-------|
| Fixed Height Lectern                | 30w | 19.8d | Wood1    |       |
| Lectern                             |     |       | MTRF30   | 8406  |
| Lectern with Microphone             |     |       | MTRF30M  | 11137 |
| Lectern on Casters                  |     |       | MTRF30C  | 10154 |
| Lectern on Casters, with Microphone |     |       | MTRF30MC | 12885 |

|  |  |  |          |       |
|--|--|--|----------|-------|
| Adjustable Height                            |  |  |          |       |
| Adj Ht Lectern                               |  |  | MTRH30   | 11394 |
| Adj Ht Lectern with Microphone               |  |  | MTRH30M  | 14125 |
| Adj Ht Lectern on Casters                    |  |  | MTRH30C  | 13070 |
| • Adj Ht Lectern on Casters, with Microphone |  |  | MTRH30MC | 15801 |

! Notes:

Microphone is TUOHY model S2E.Q00.000 with XLR plug and 12-inch gooseneck stem; color is black.  
 Microphone power wires to be provided by others.  
 Black casters 2 w/ brakes, 2 without.

Lecterns are electric powered. See page CL6 for battery power for adj ht lecterns, and optional AAP plates.

> Options:

Specify base and pencil catch finish from standard powder coat colors.

- (MRW) Resin White
- (MRSA) Resin Satin Aluminum
- (MRTG) Resin Thunder Gray
- (MRDBZ) Resin Dark Bronze
- (MRB) Resin Black
- (MRBM) Resin Black Matte
- (MRBZ) Resin Bronze

For Brushed Stainless Steel specify (MBSS) and add \$441 to list price.

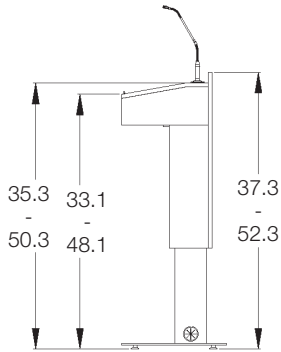
To Include Dean Z-Mount and USB Powered Led Light append P to end of Product Code and add \$987 to list price.

Dean Z-Mount is 3-port with 2 Simplex and USB-A+C; soft plug, standard color options.

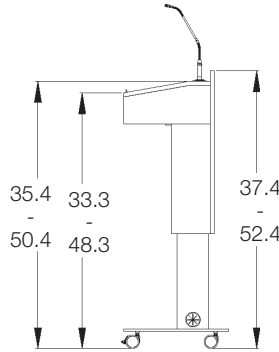
USB powered led light is dimmable, flexible, gooseneck (black).

Includes power strip w/ 15' cord.

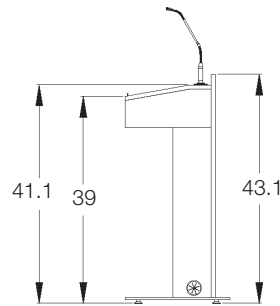
Black flex grommet on either side for wire exit and wire exit in bottom.



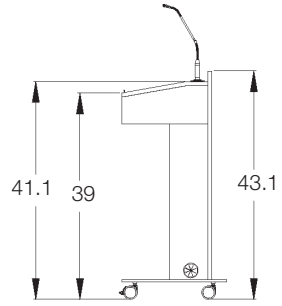
Height Adjustable/Non-Mobile



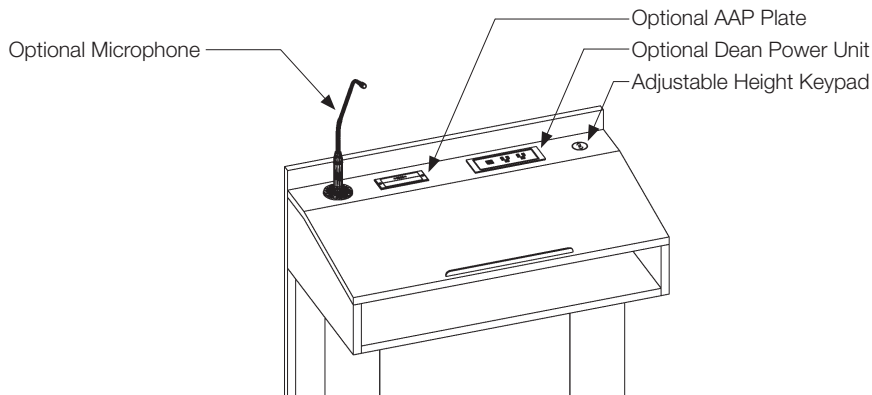
Height Adjustable/Mobile



Fixed Height/Non-Mobile



Fixed Height/Mobile



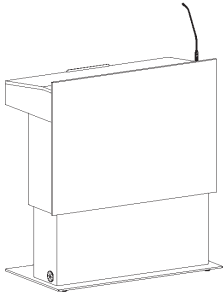
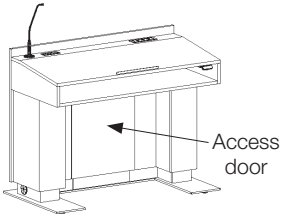
Specify: Product Number  
 Quantity  
 Color/Finish  
 Tagging

• Denotes Item is illustrated.  
 ‡ Requires field sub-assembly.

Woods listed at Wood1 level

Montrose Adaptive Lectern

Product No. List \$



|  |             |          |       |
|--|-------------|----------|-------|
| Adjustable Height                          | 46.2w 24.9d | Wood1    |       |
| Adj Ht Lectern                             |             | MTRH46   | 13719 |
| • Adj Ht Lectern with Microphone           |             | MTRH46M  | 16450 |
| Adj Ht Lectern on Casters                  |             | MTRH46C  | 15082 |
| Adj Ht Lectern on Casters, with Microphone |             | MTRH46MC | 17813 |

! Notes:

Microphone is TUOHY model S2E.Q00.000 with XLR plug and 12-inch gooseneck stem; color is black.  
 Microphone power wires to be provided by others.  
 Black casters 2 w/ brakes, 2 without.  
 Lecterns are electric powered. See page CL6 for battery power for adj ht lecterns, and optional AAP plates.

> Options:

Specify base and pencil catch finish from standard powder coat colors.

- (MRW) Resin White
- (MRSA) Resin Satin Aluminum
- (MRTG) Resin Thunder Gray
- (MRDBZ) Resin Dark Bronze
- (MRB) Resin Black
- (MRBM) Resin Black Matte
- (MRBZ) Resin Bronze

For Brushed Stainless Steel specify (MBSS) and add \$441 to list price.

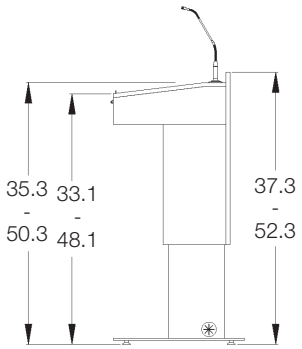
To Include Dean Z-Mount and USB Powered Led Light append P to end of Product Code and add \$987 to list price.

Dean Z-Mount is 3-port with 2 Simplex and USB-A+C; soft plug, standard color options.

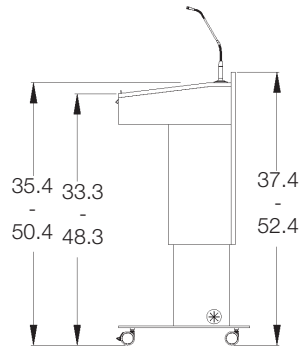
USB powered led light is dimmable, flexible, gooseneck (black).

Includes power strip w/ 15' cord.

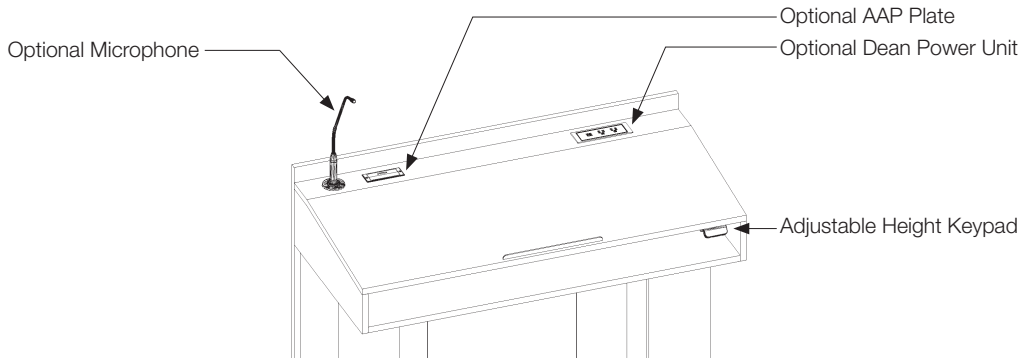
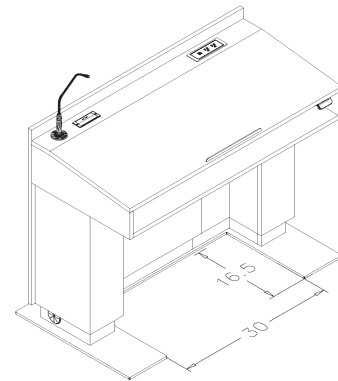
Black flex grommet on either side for wire exit and wire exit in bottom.



Height Adjustable/Non-Mobile



Height Adjustable/Mobile



Specify: Product Number  
 Quantity  
 Color/Finish  
 Tagging

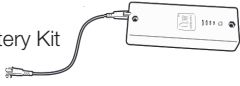
• Denotes Item is illustrated.  
 ‡ Requires field sub-assembly.

Woods listed at Wood1 level

Battery Power Options

|              | Product No. | List \$ |
|--------------|-------------|---------|
| Battery Kit  | ELBK        | 1075    |
| Charging Kit | ELCK        | 221     |

Battery Kit



Charging Kit



! Notes:

Battery Kit includes Battery and 8-in cable to plug into desk control box.

Charging Kit includes 8-in cable, charger, and power cable.

Battery power is for height adjustable settings only. Battery kit will not work for microphone or power/USB unit.

Data

|  |        |     |
|--|--------|-----|
| (2) AAP Plates; one with HDMI, 1 Blank | AAP2HB | 342 |
|--|--------|-----|

